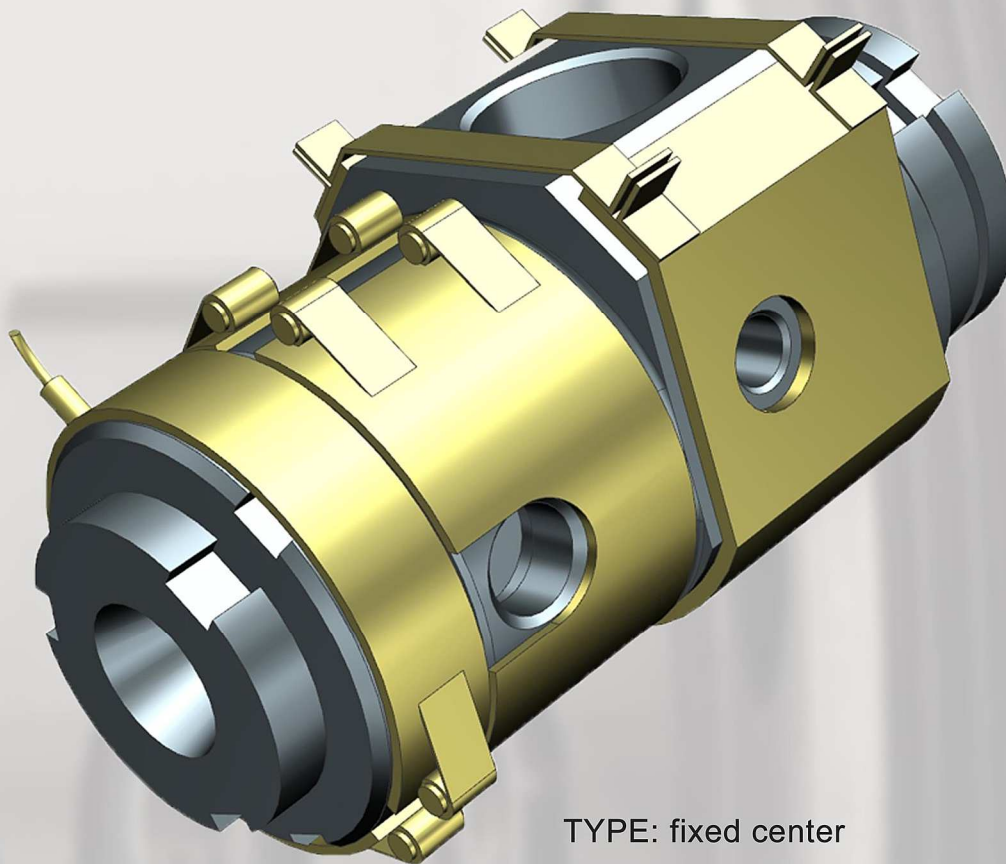


CROSSHEAD TD8S



TYPE: fixed center

Heating

band heaters

Min conductor

0,3mm

Max conductor

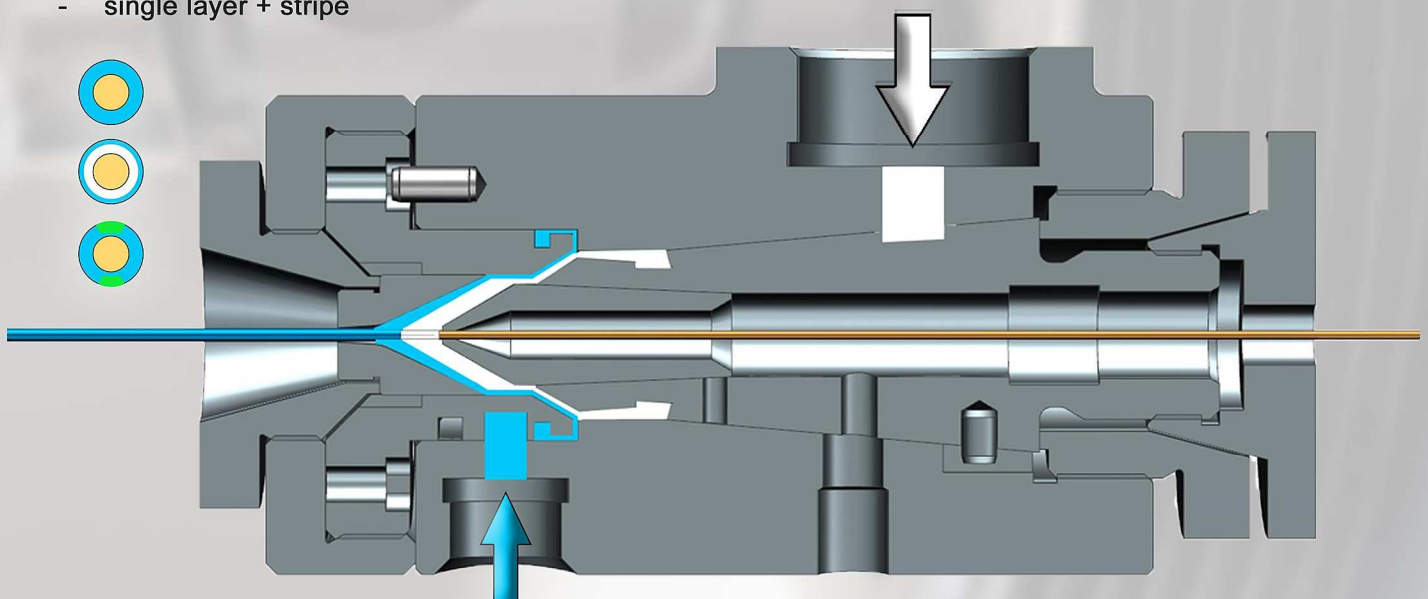
8,0mm

Max over insulation

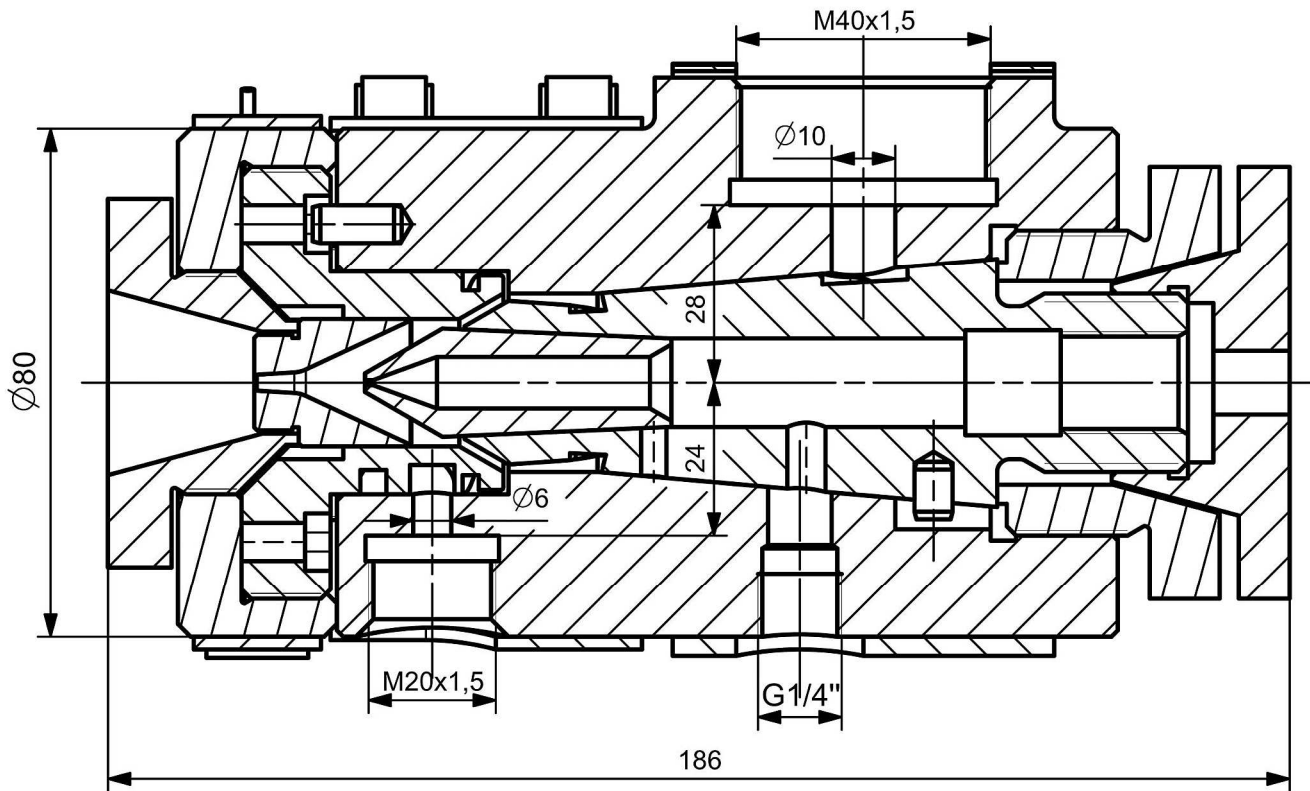
9,0mm

APPLICATION:

- single layer
- single layer + skin
- single layer + stripe



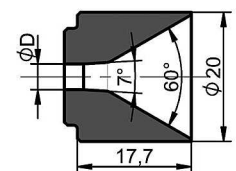
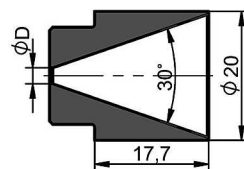
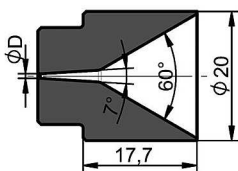
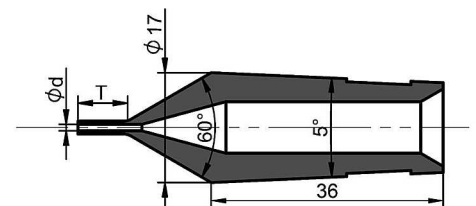
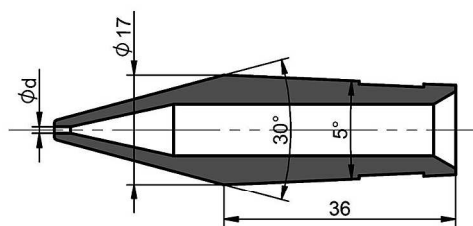
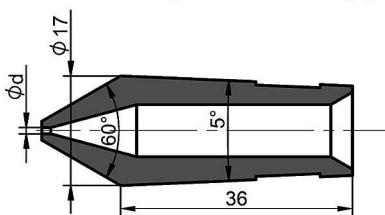
CROSSHEAD TD8S



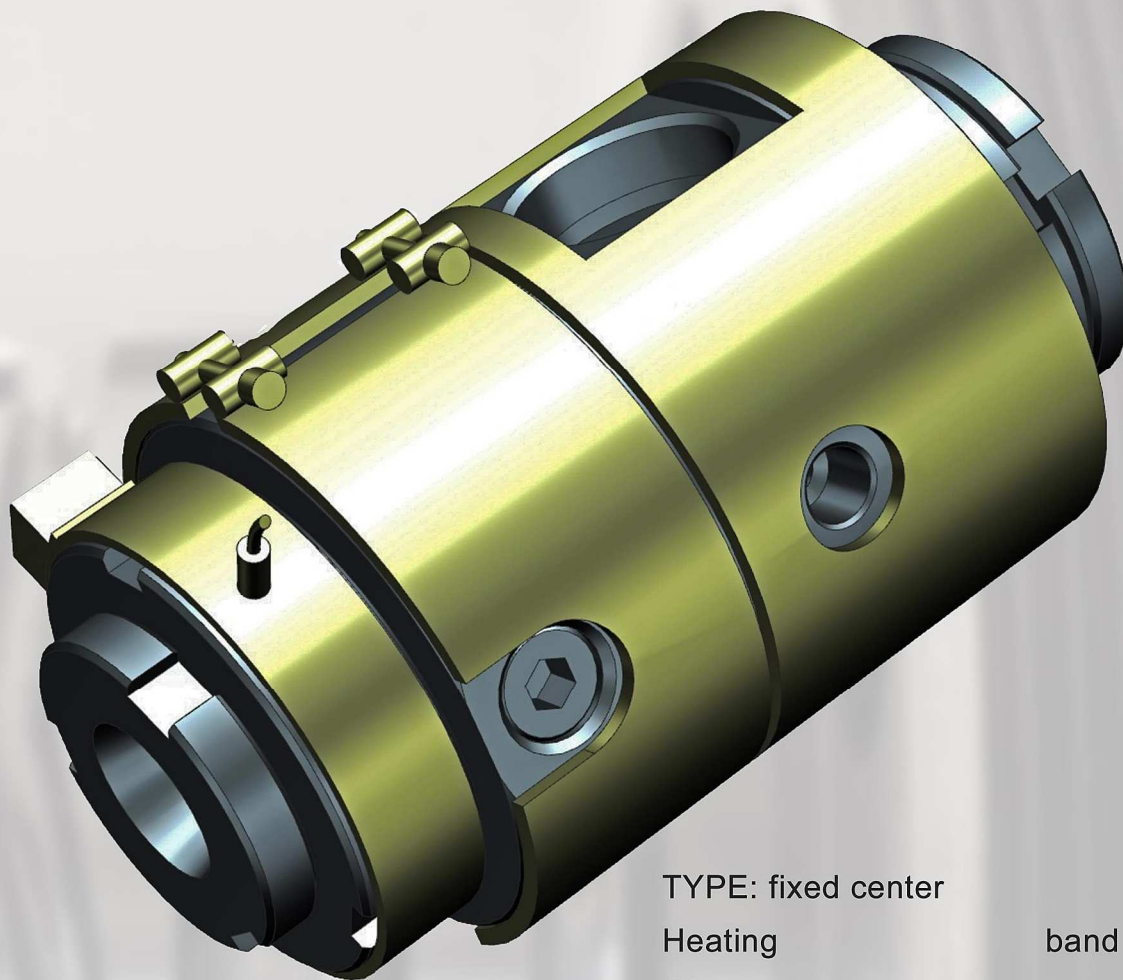
Compression type

Semicompression type

Tube type



CROSSHEAD TD8SR



TYPE: fixed center

Heating

band heaters

Min conductor

0,3mm

Max conductor

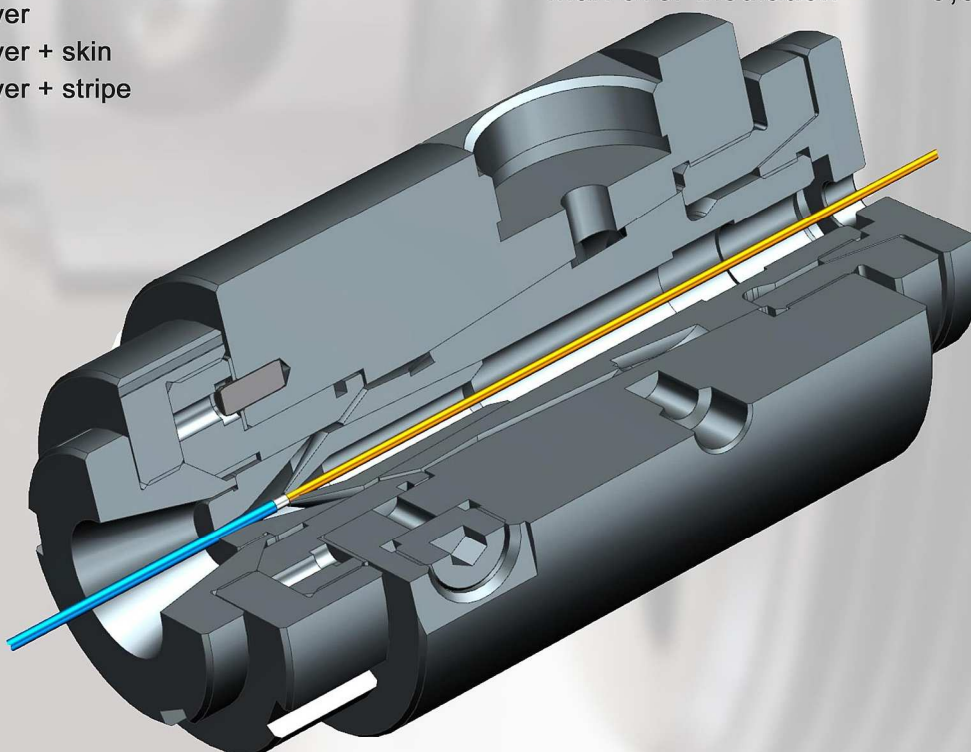
8,0mm

Max over insulation

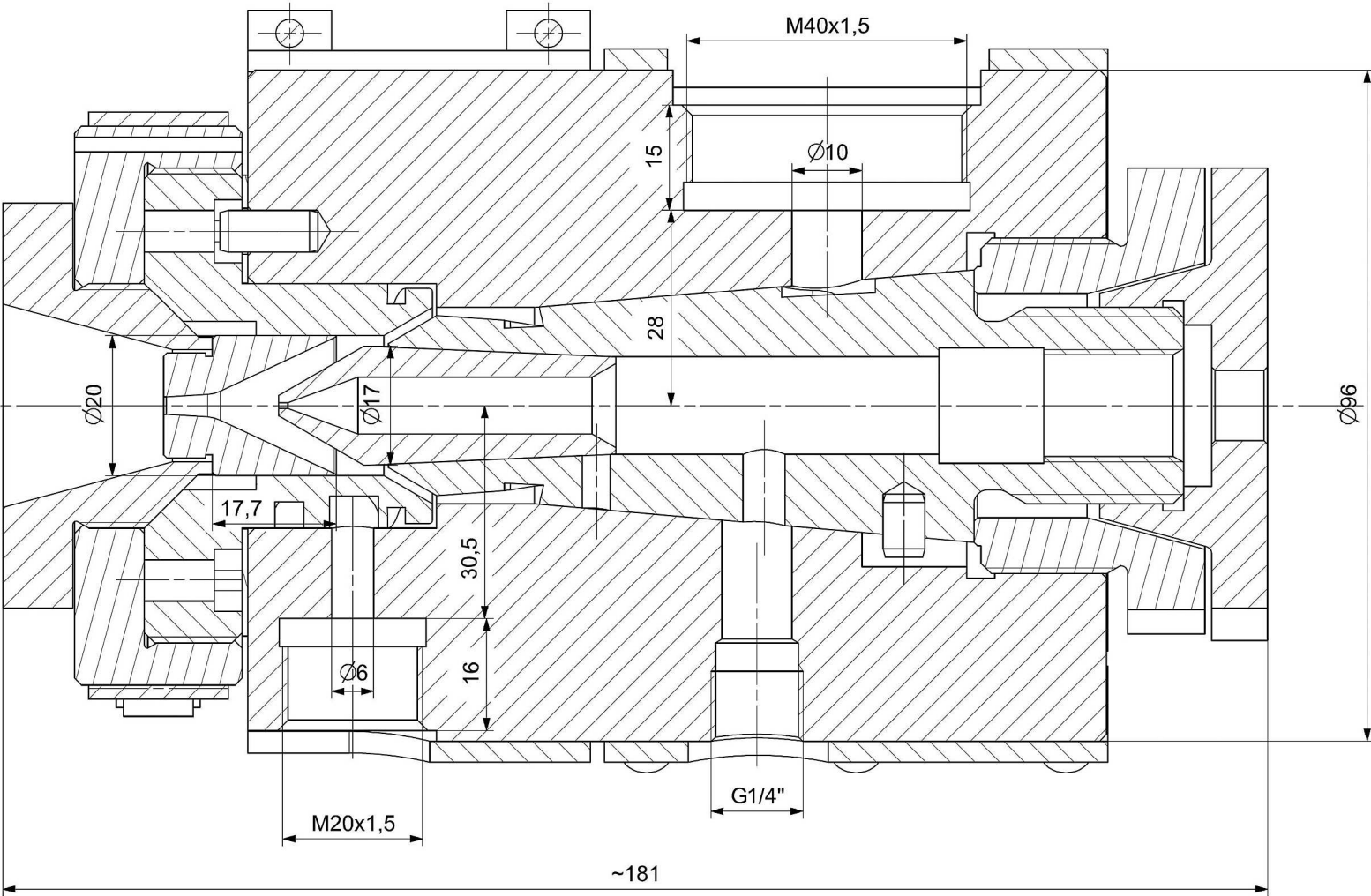
9,0mm

APPLICATION:

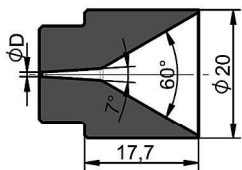
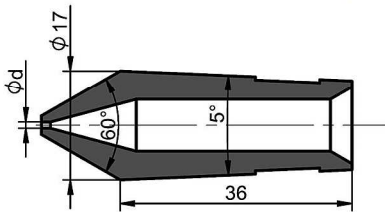
- single layer
- single layer + skin
- single layer + stripe



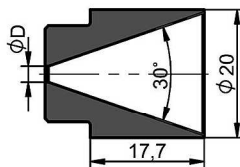
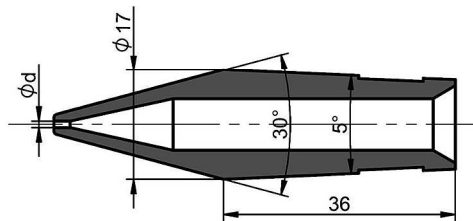
CROSSHEAD TD8SR



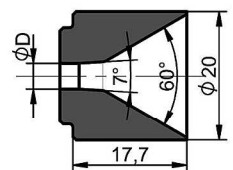
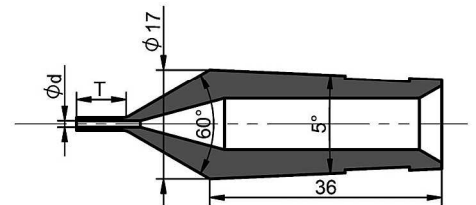
Compression type



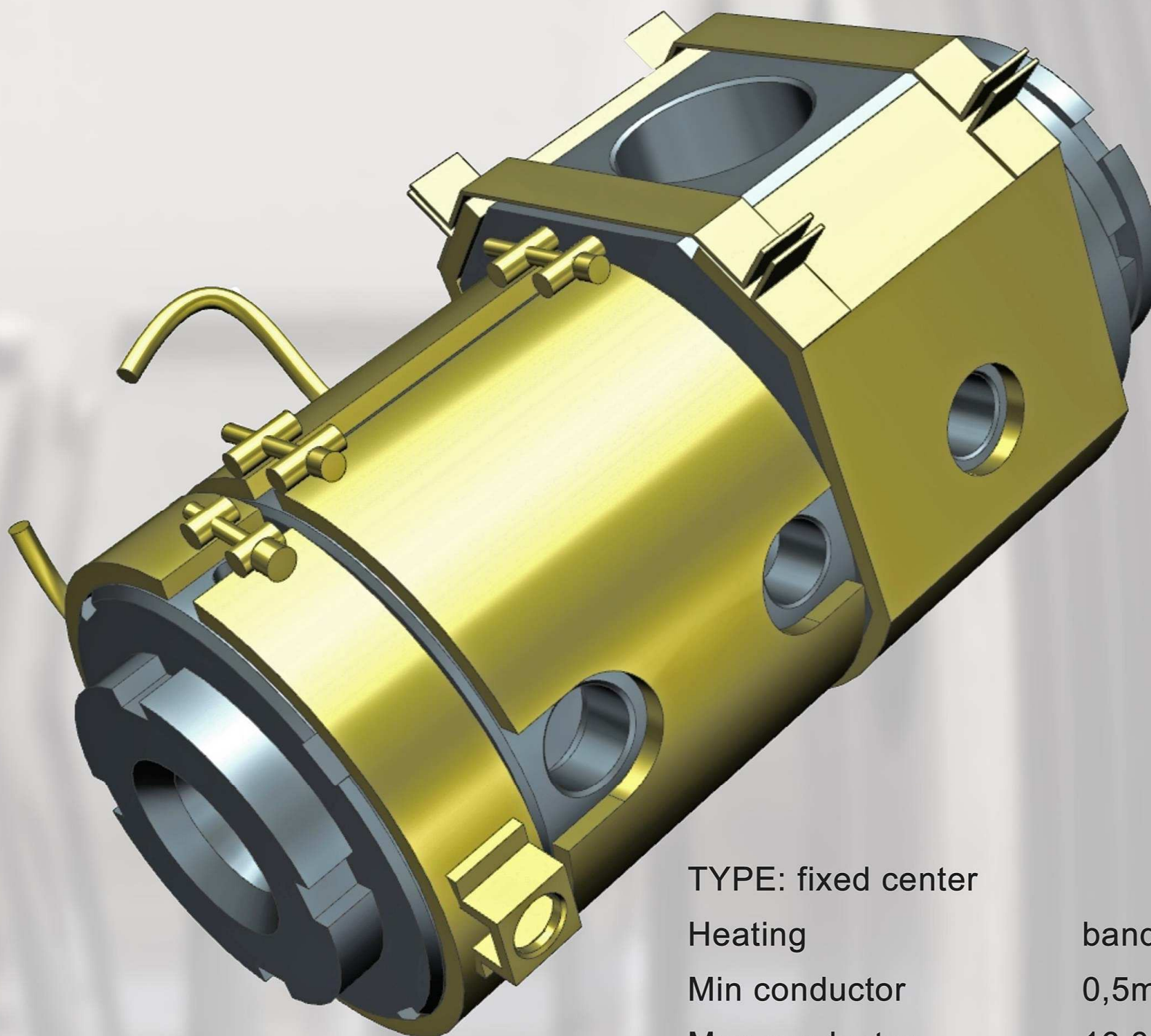
Semicompression type



Tube type



CROSSHEAD TD16S



TYPE: fixed center

Heating

band heaters

Min conductor

0,5mm

Max conductor

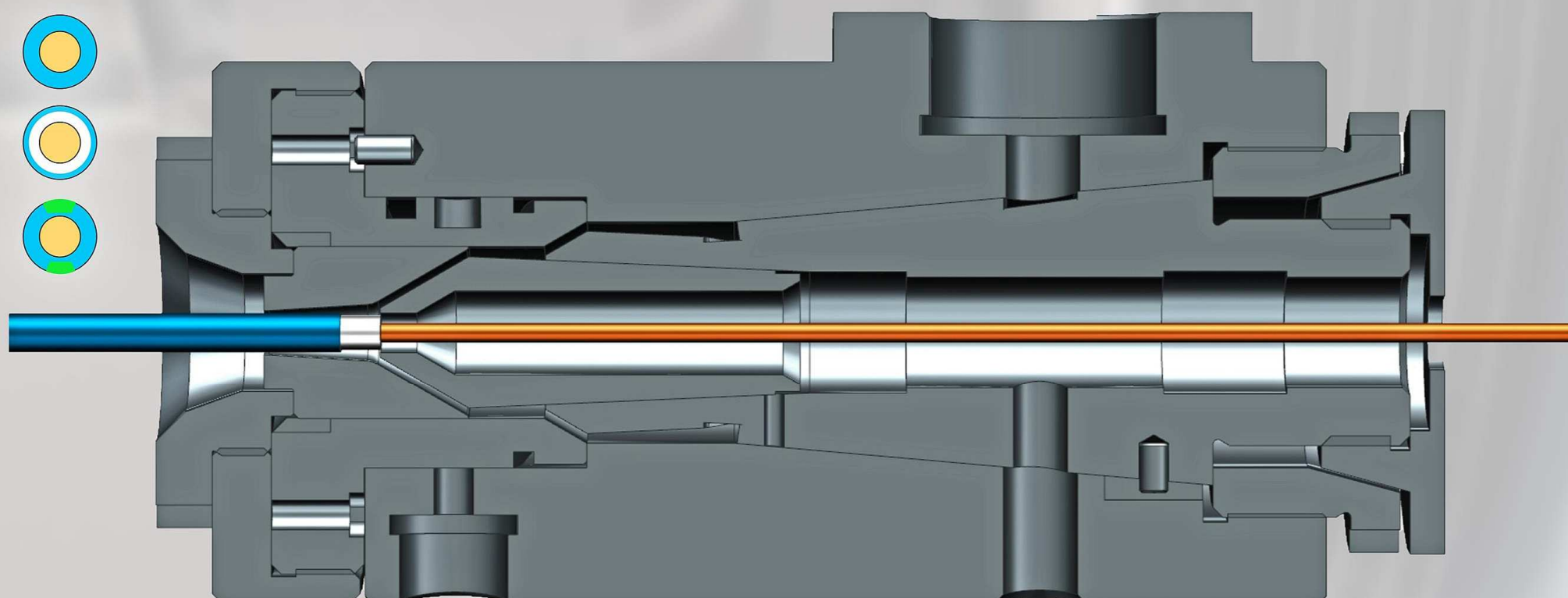
16,0mm

Max over insulation

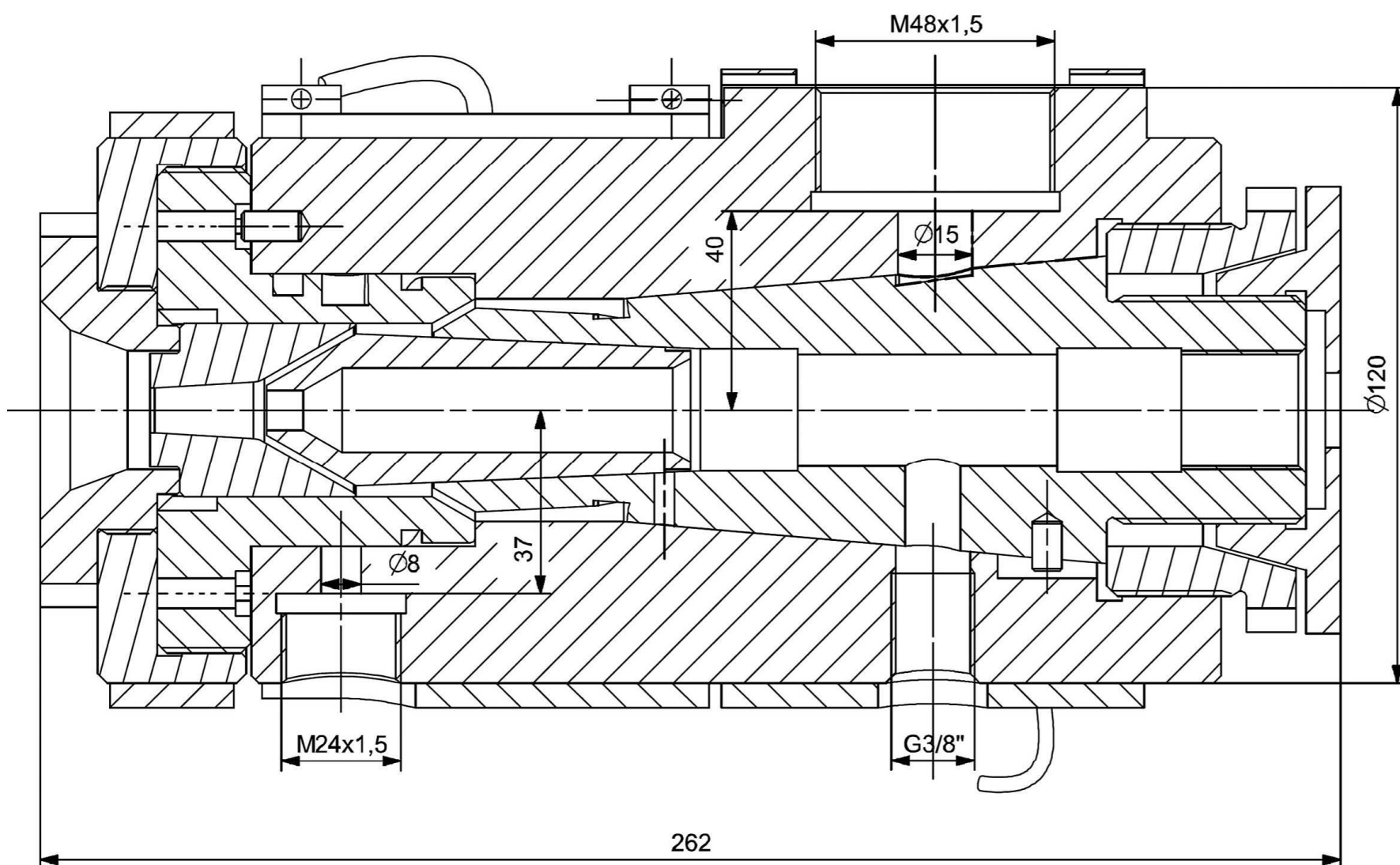
18,0mm

APPLICATION:

- single layer
- single layer + skin
- single layer + stripe



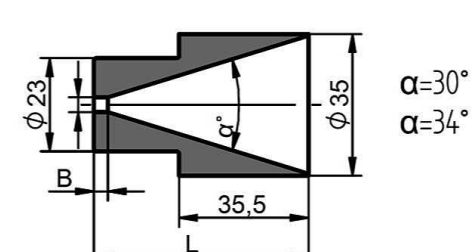
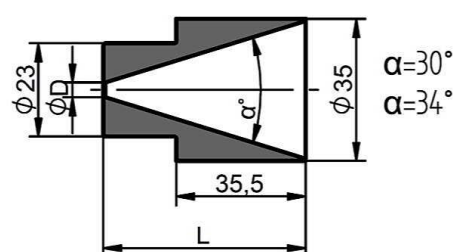
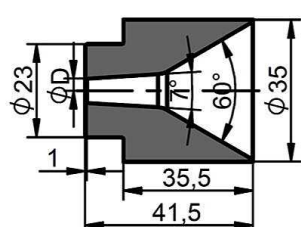
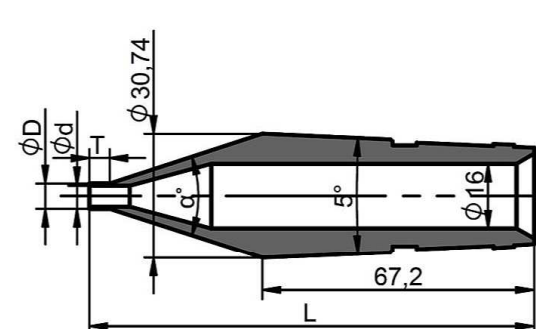
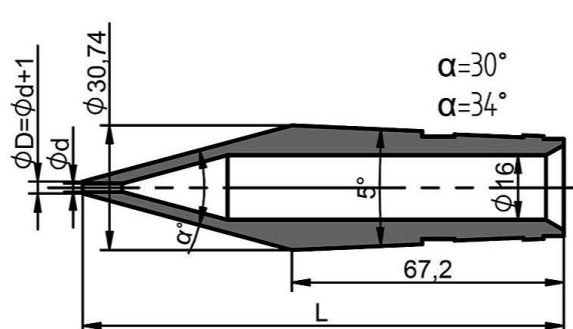
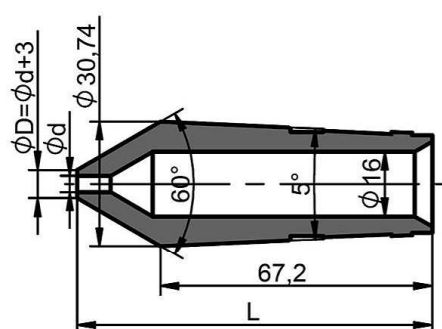
CROSSHEAD TD16S



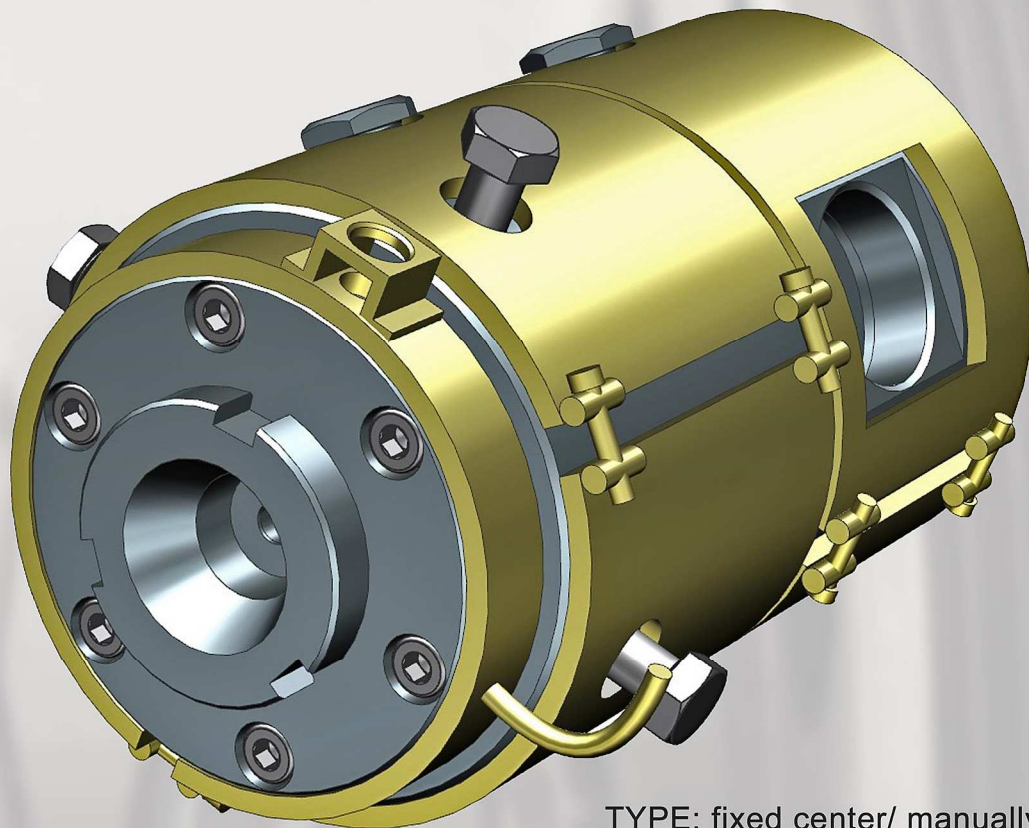
Compression type

Semicompression type

Tube type



CROSSHEAD TD16S-MK



TYPE: fixed center/ manually centered

Heating band heaters

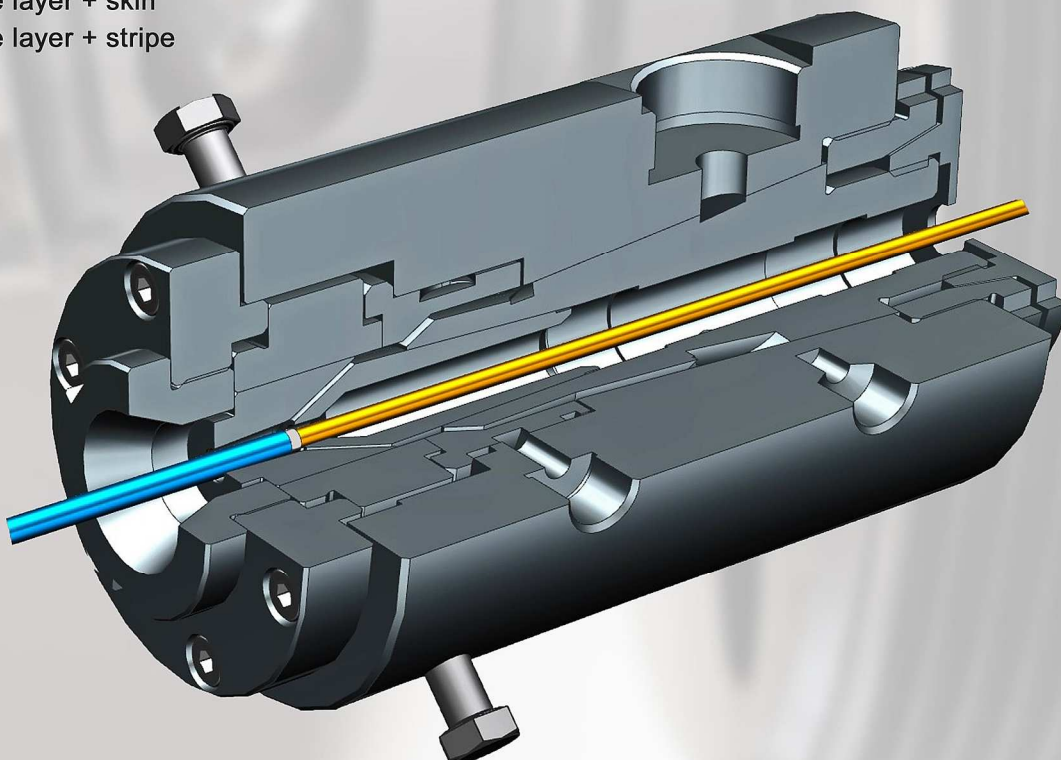
Min conductor 0,5mm

Max conductor 16,0mm

Max over insulation 18,0mm

APPLICATION:

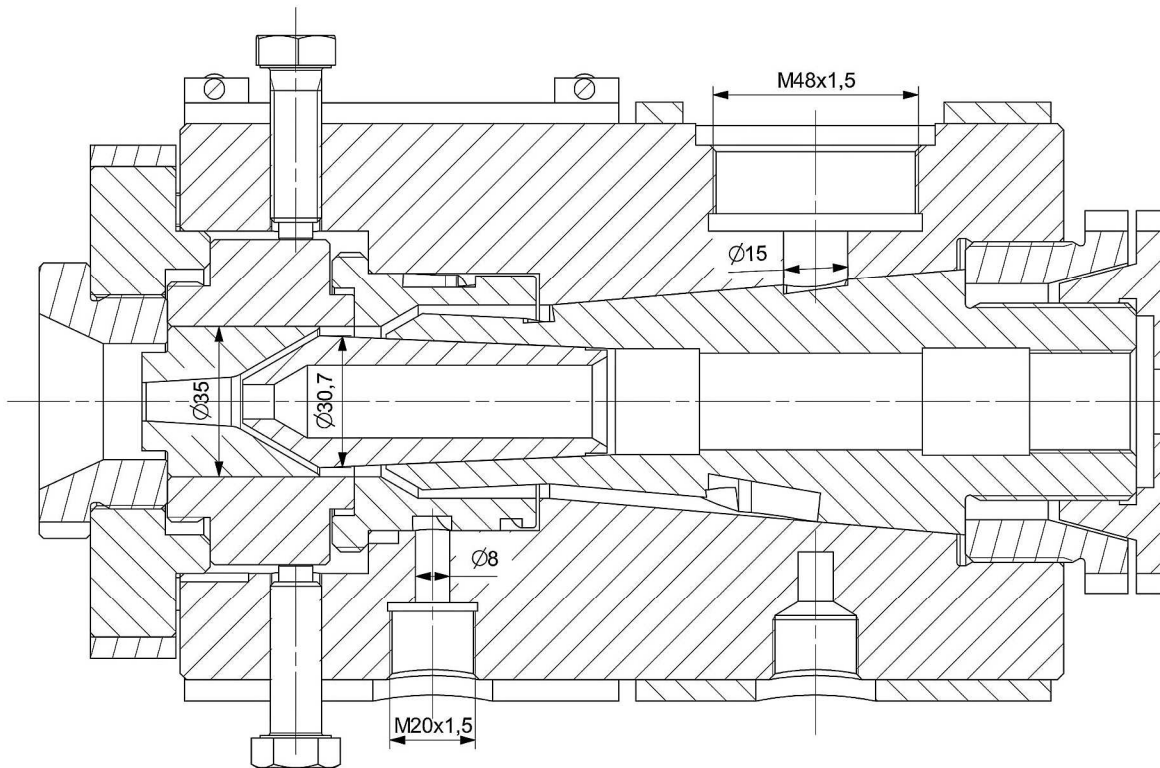
- single layer
- single layer + skin
- single layer + stripe



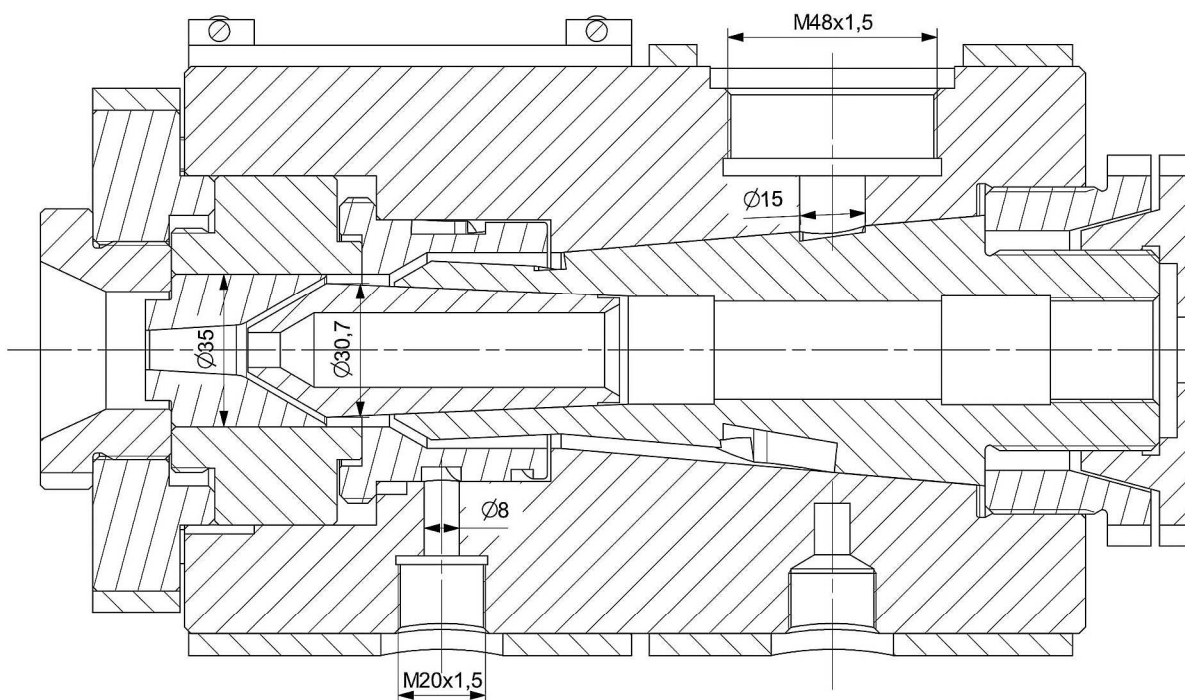
CROSSHEAD TD16S-MK



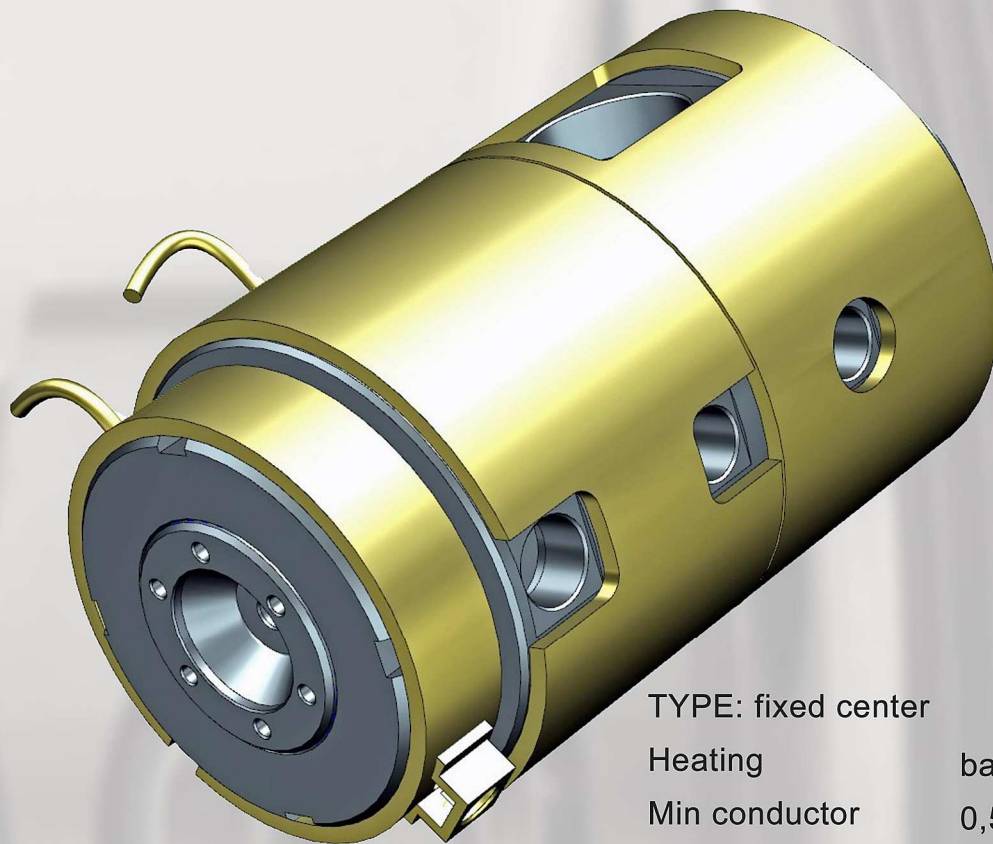
OPTION MANUALLY CENTERED



OPTION FIXED CENTER



CROSSHEAD TD16SR



TYPE: fixed center

Heating band heaters

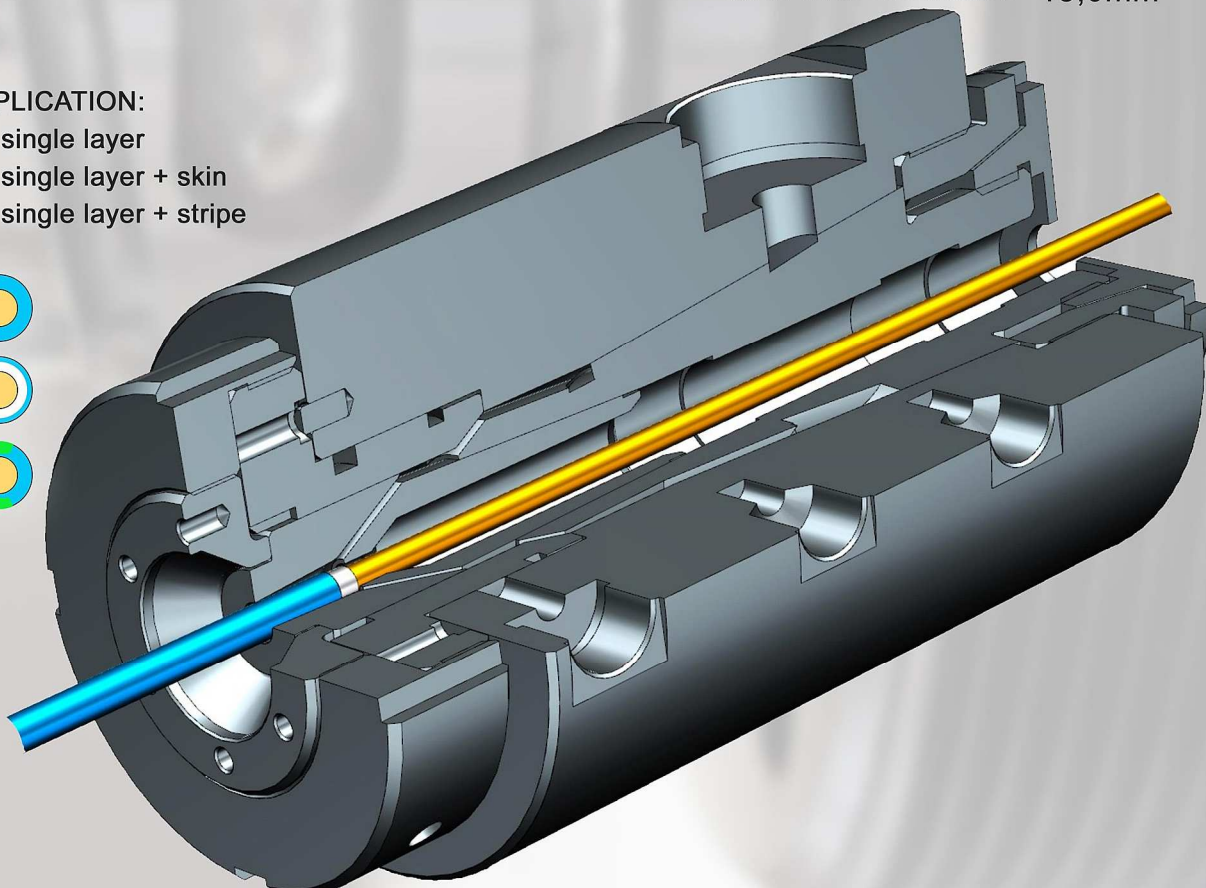
Min conductor 0,5mm

Max conductor 16,0mm

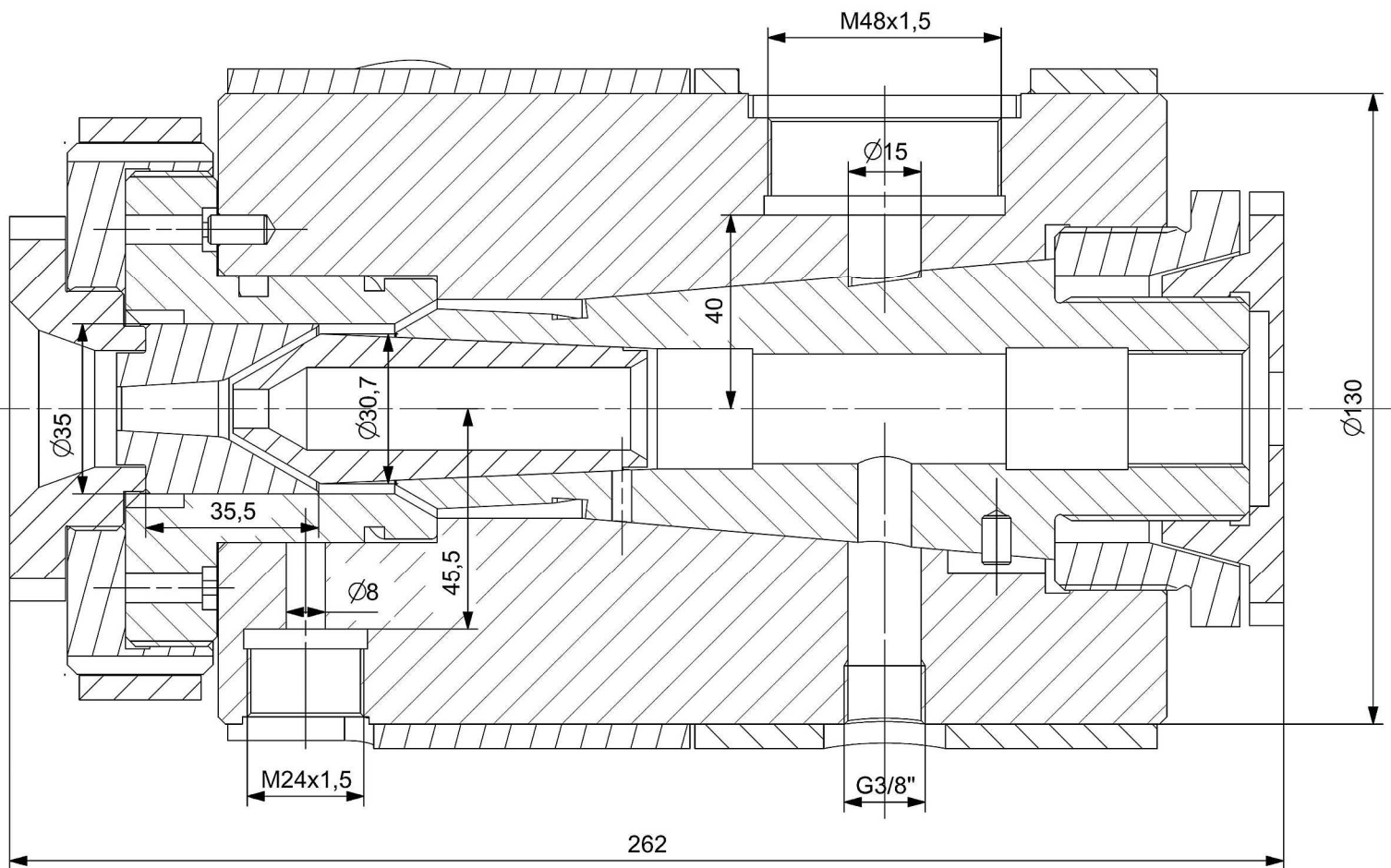
Max over insulation 18,0mm

APPLICATION:

- single layer
- single layer + skin
- single layer + stripe



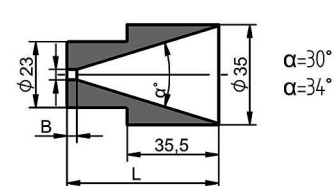
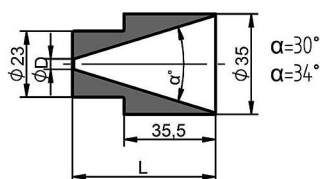
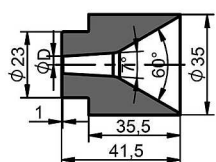
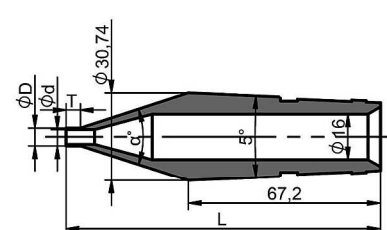
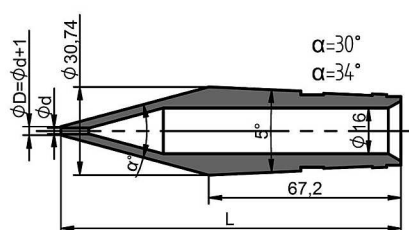
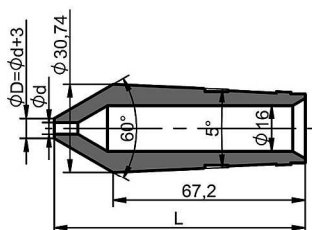
CROSSHEAD TD16SR



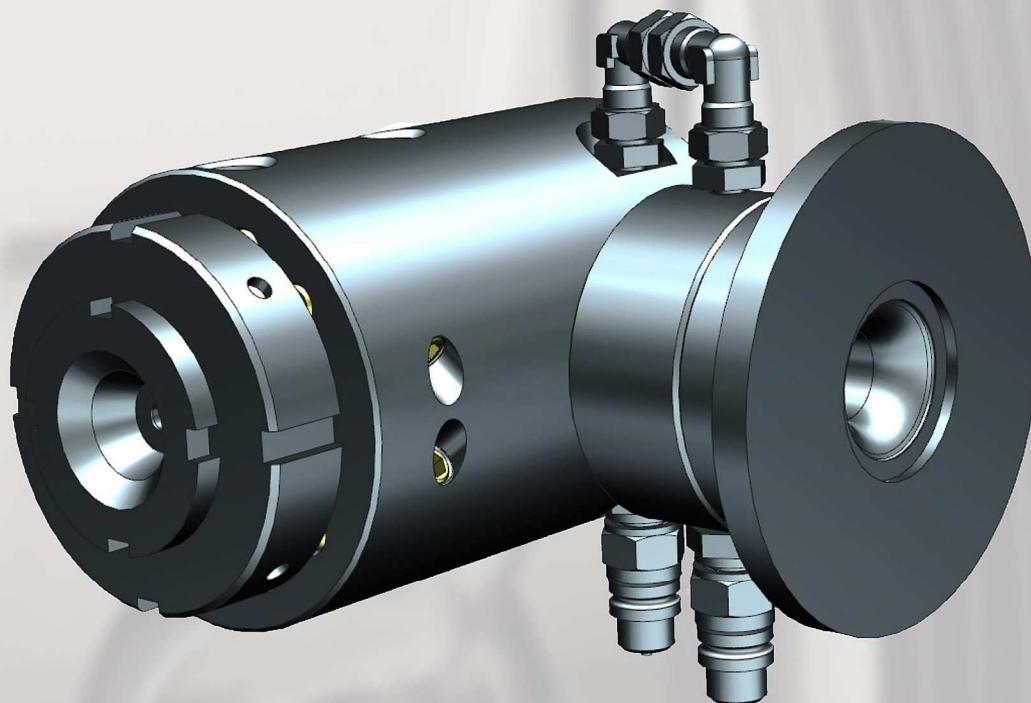
Compression type

Semicompression type

Tube type



CROSSHEAD TD16ST



TYPE: fixed center

Heating thermoregulated by oil

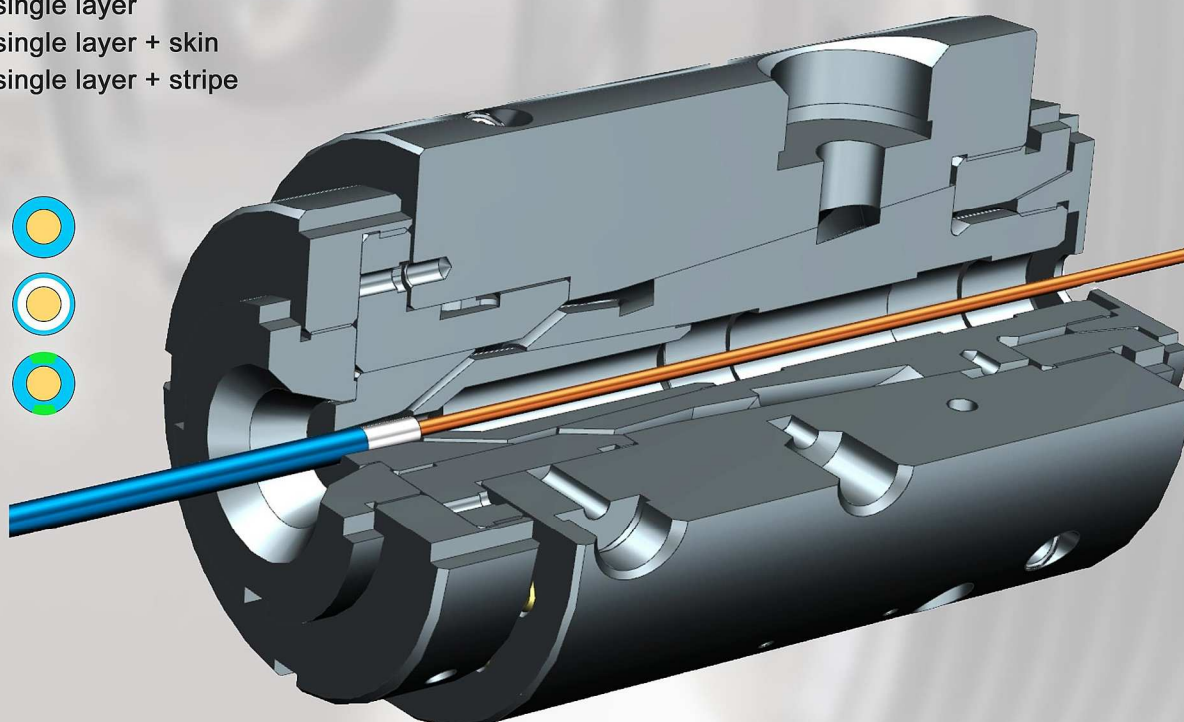
Min conductor 0,5mm

Max conductor 16,0mm

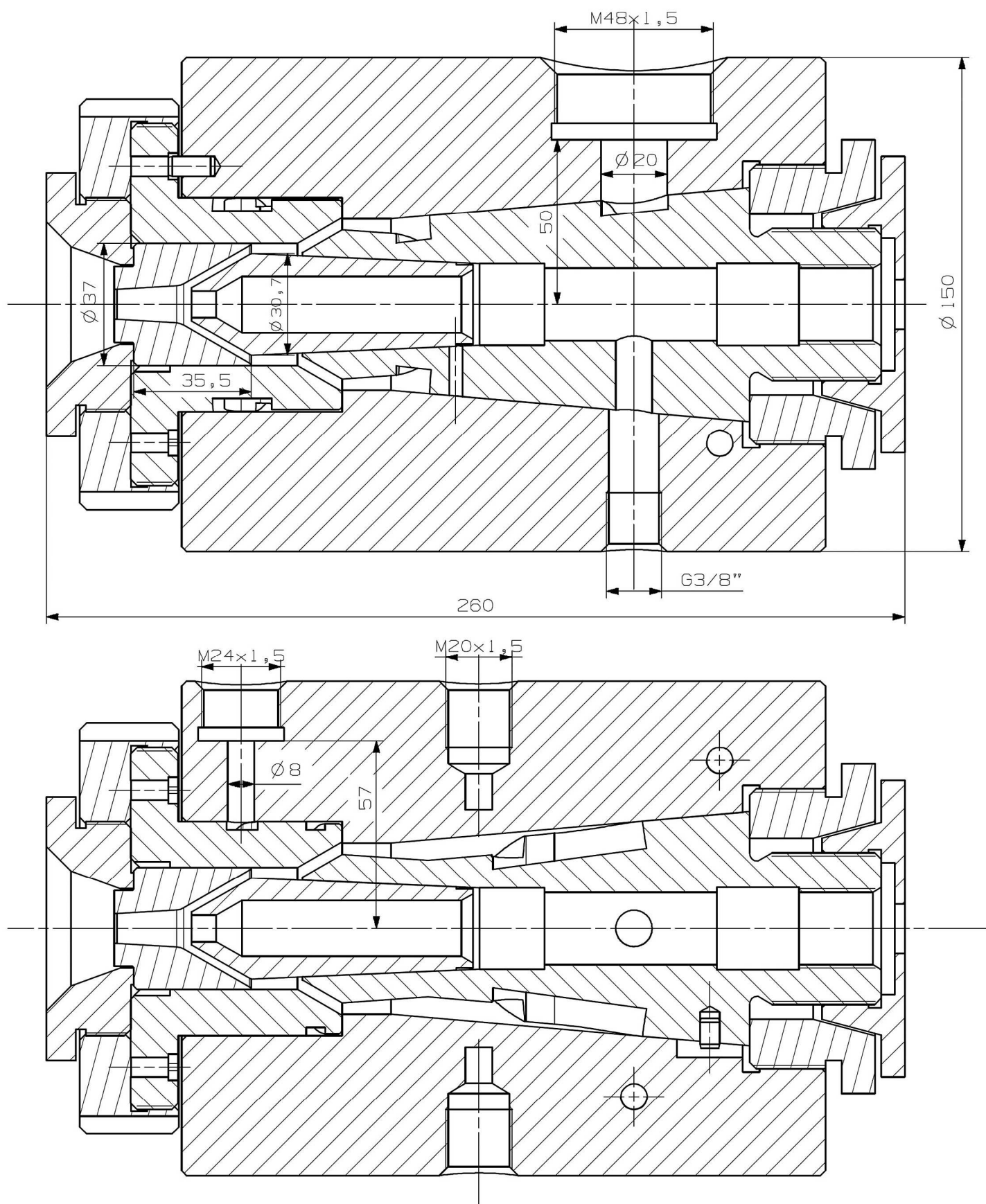
Max over insulation 18,0mm

APPLICATION:

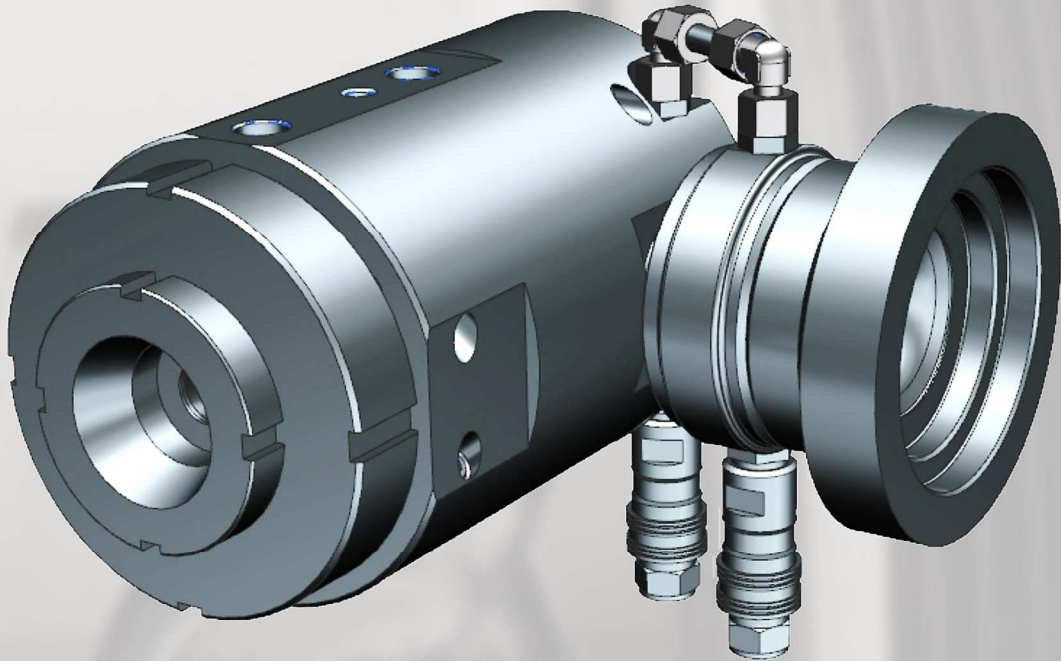
- single layer
- single layer + skin
- single layer + stripe



CROSSHEAD TD16ST



CROSSHEAD TD25ST



APPLICATION:

- single layer
- single layer + skin
- single layer + stripe

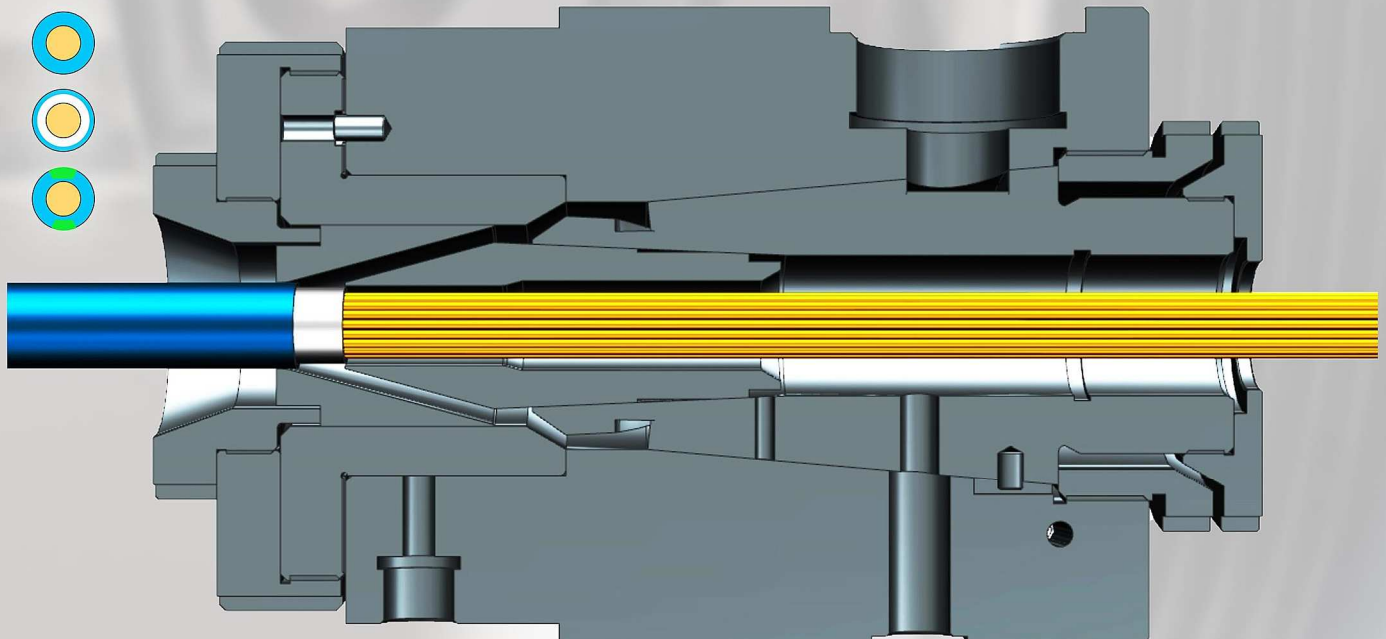
TYPE: fixed center

Heating thermoregulated by oil

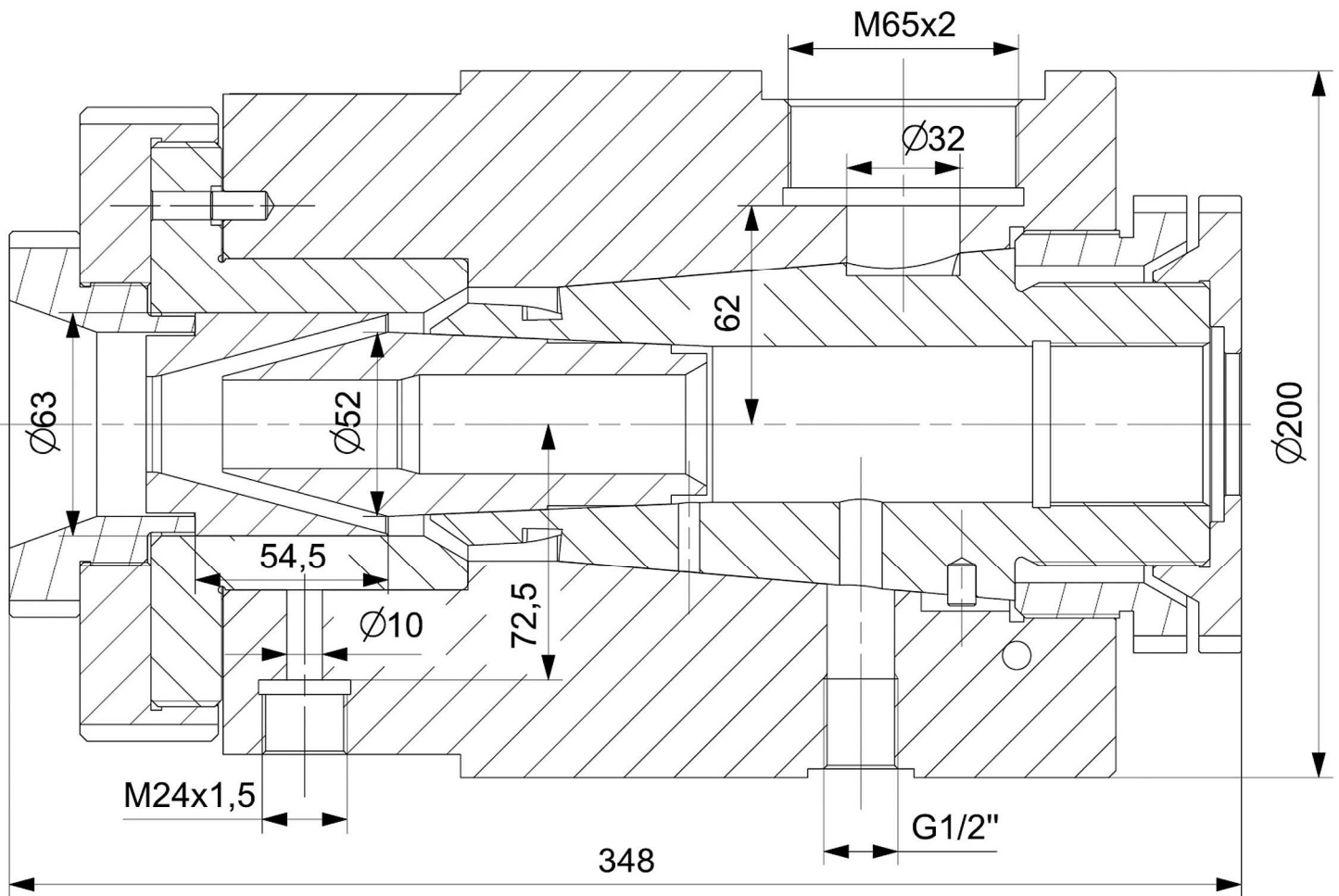
Min conductor 4,0mm

Max conductor 25,0mm

Max over insulation 28,0mm



CROSSHEAD TD25ST



Compression type

Semicompression type

Tube type

