

# CROSSHEAD TD8MTX



**APPLICATION:**

- single layer
- single layer + skin
- single layer + stripe

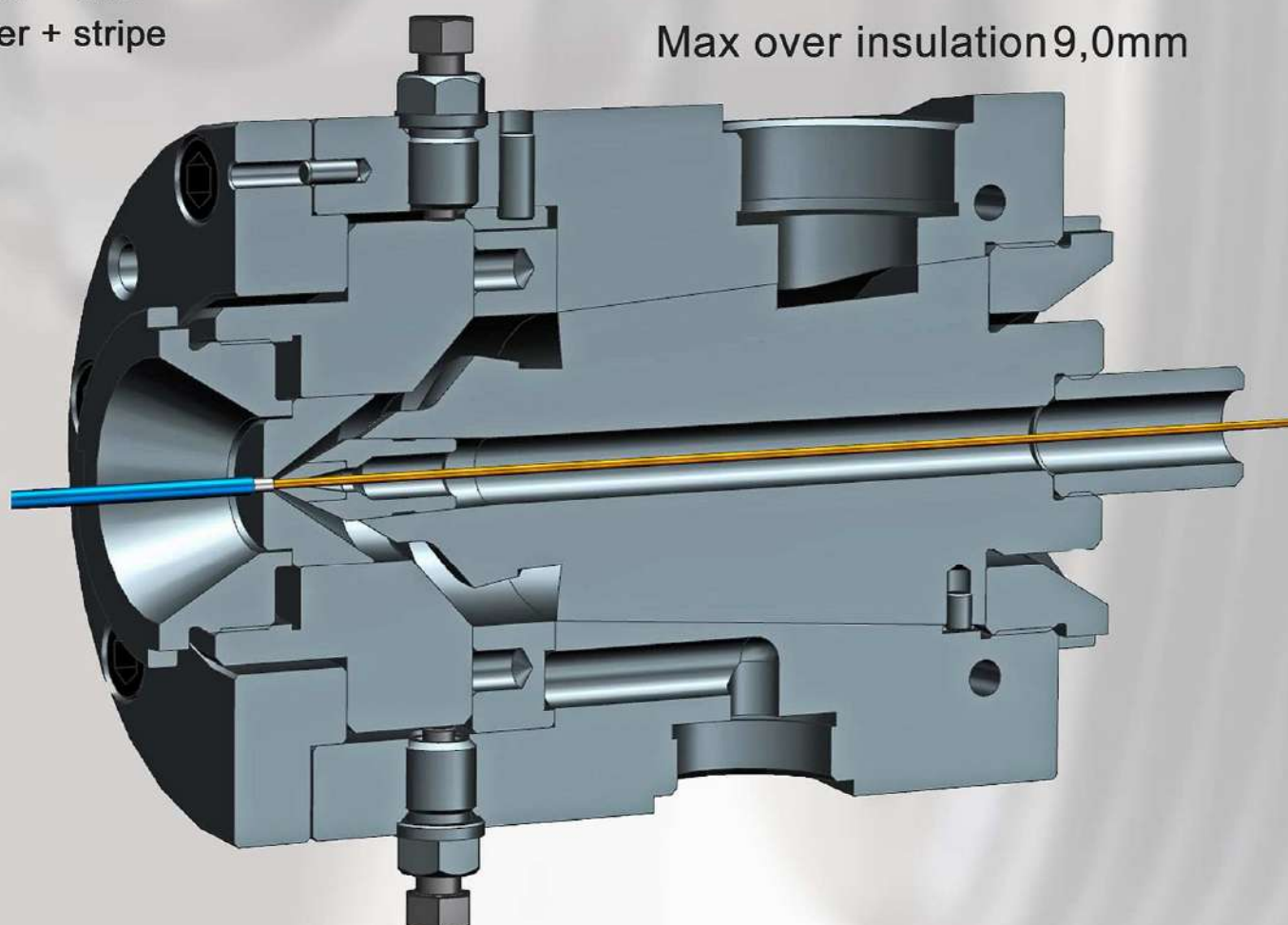
TYPE: manually centered

Heating thermoregulated by water (oil)

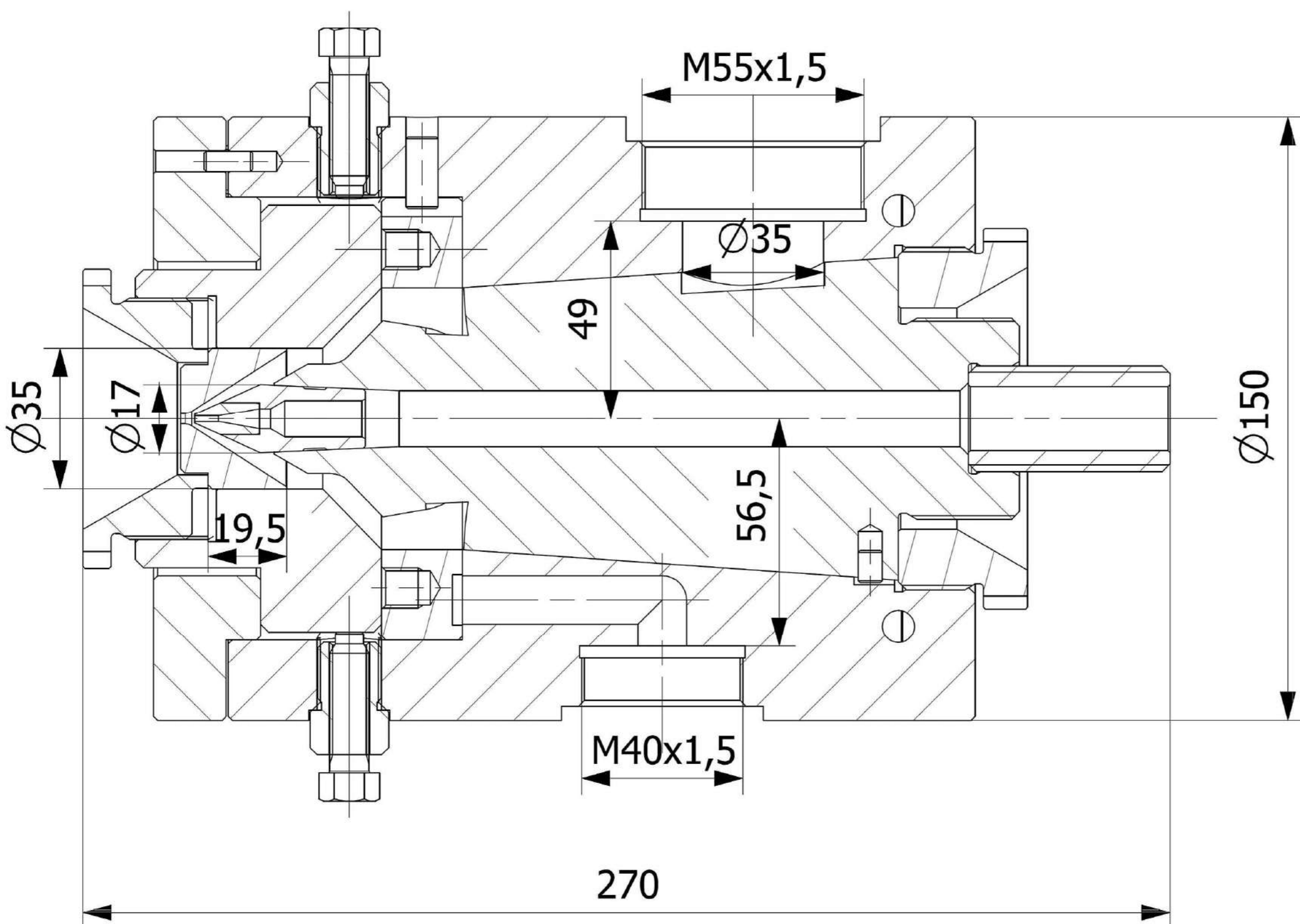
Min conductor 0,3mm

Max conductor 8,0mm

Max over insulation 9,0mm

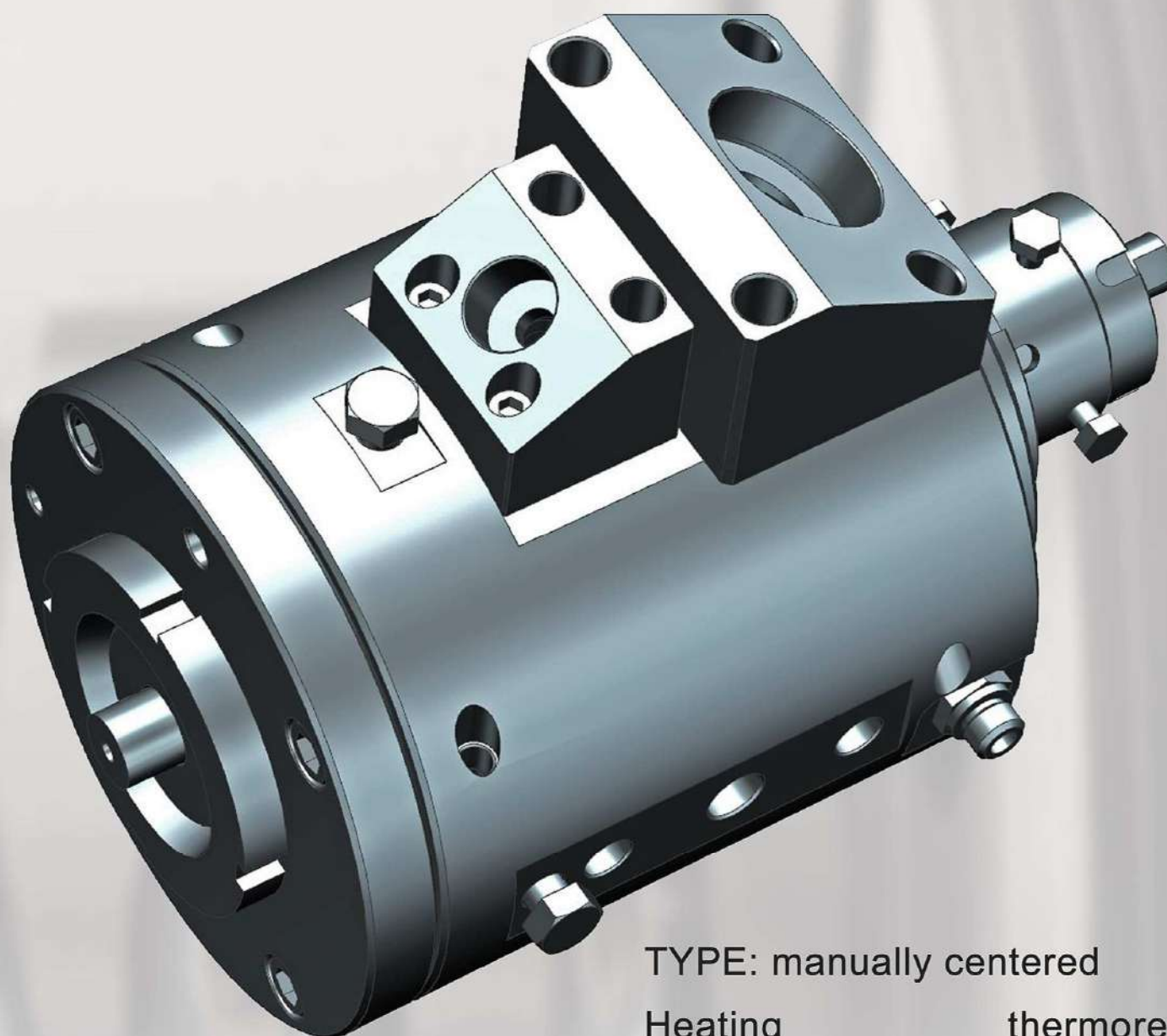


# CROSSHEAD TD8MTX





# CROSSHEAD TD10MTX



TYPE: manually centered

Heating thermoregulated by water (oil)

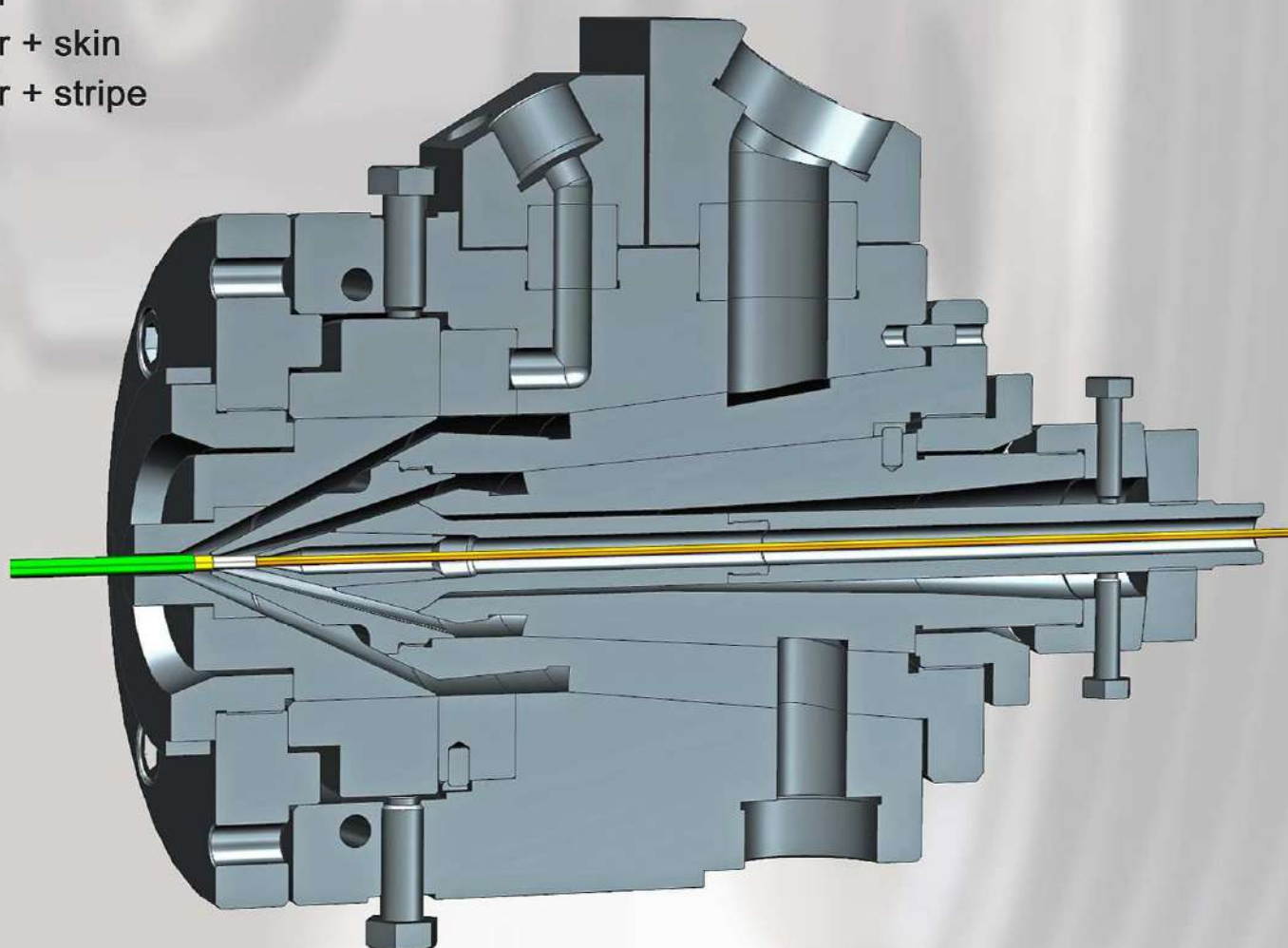
Min conductor 0,6mm

Max conductor 9,0mm

Max over insulation 10,0mm

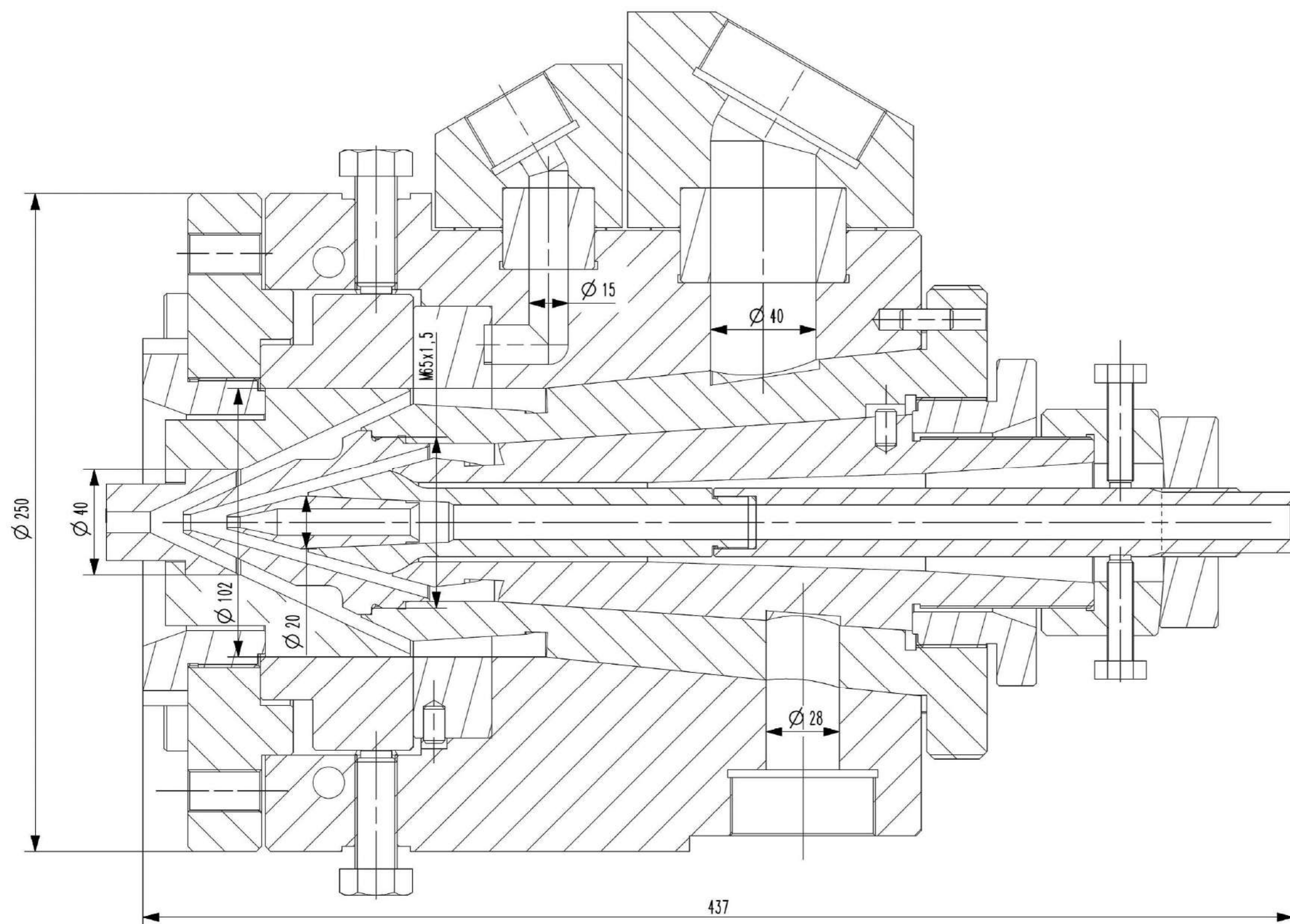
APPLICATION:

- double layer
- double layer + skin
- double layer + stripe

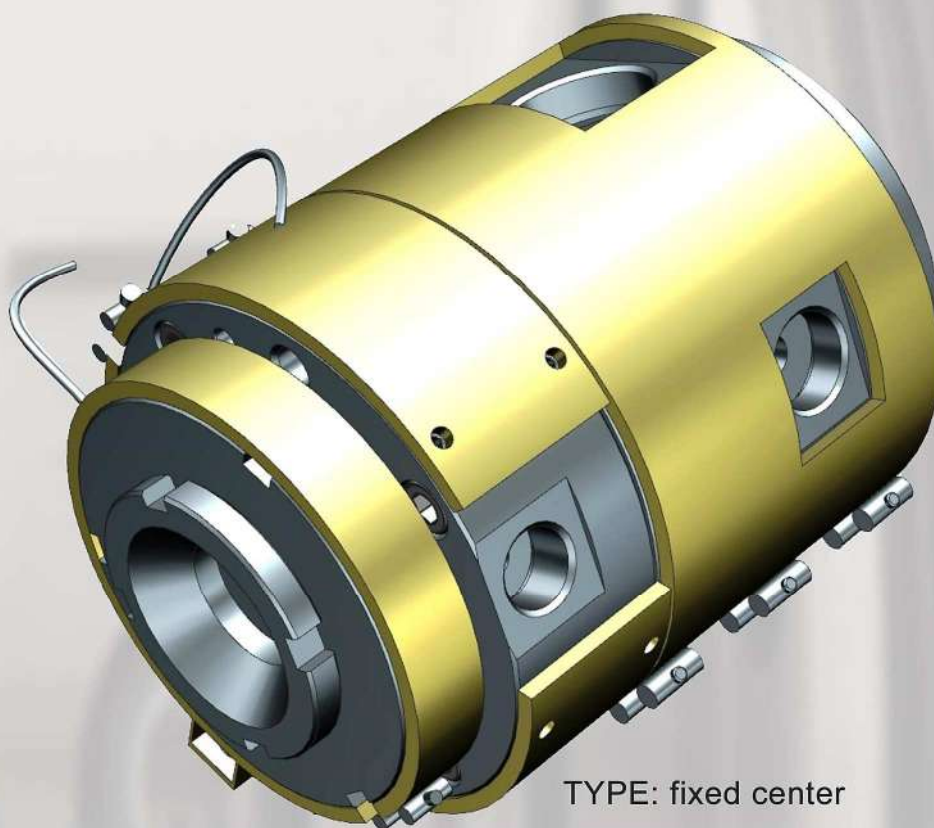




# CROSSHEAD TD10MTX



# CROSSHEAD TD16S2K



TYPE: fixed center

Heating

Min conductor

Max conductor

Max over insulation

band heaters

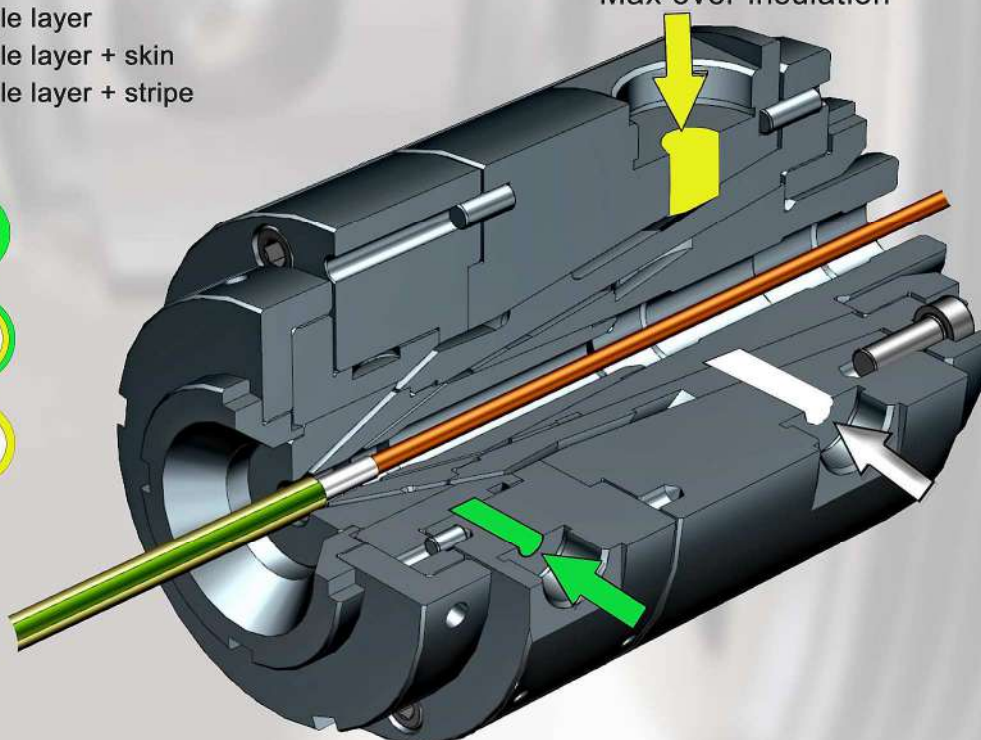
0,5mm

16,0mm

18,0mm

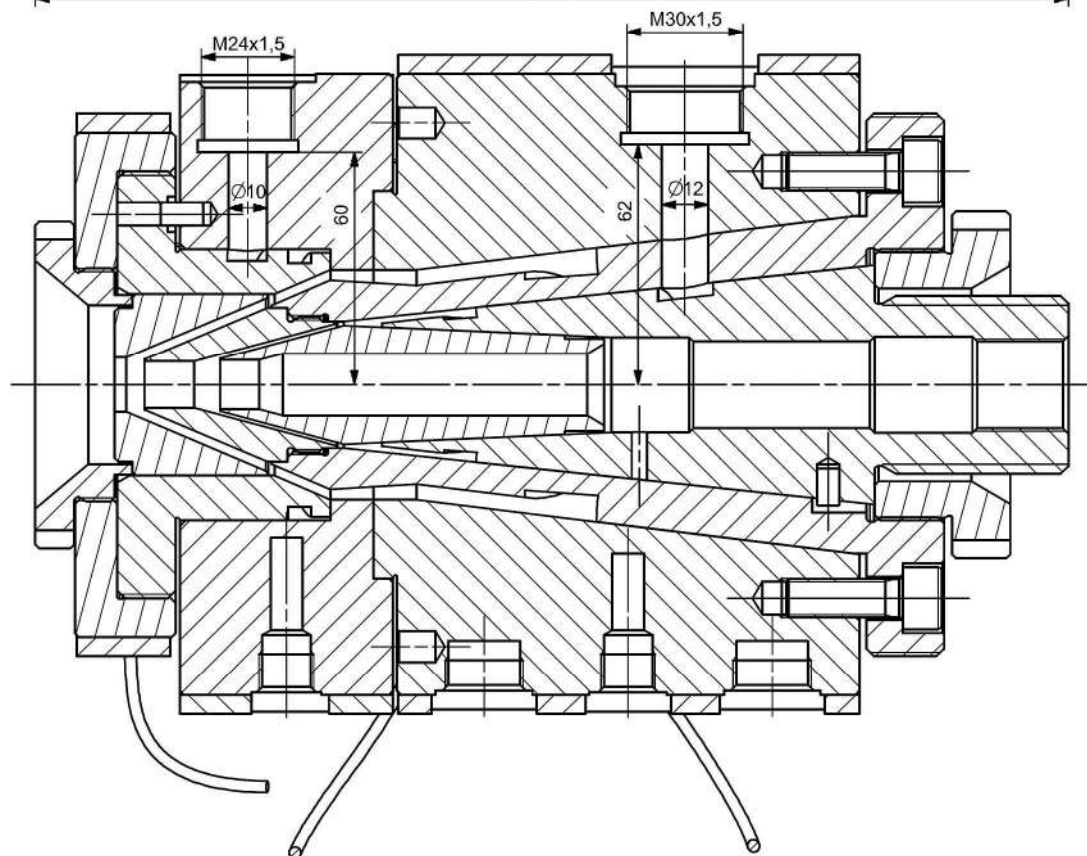
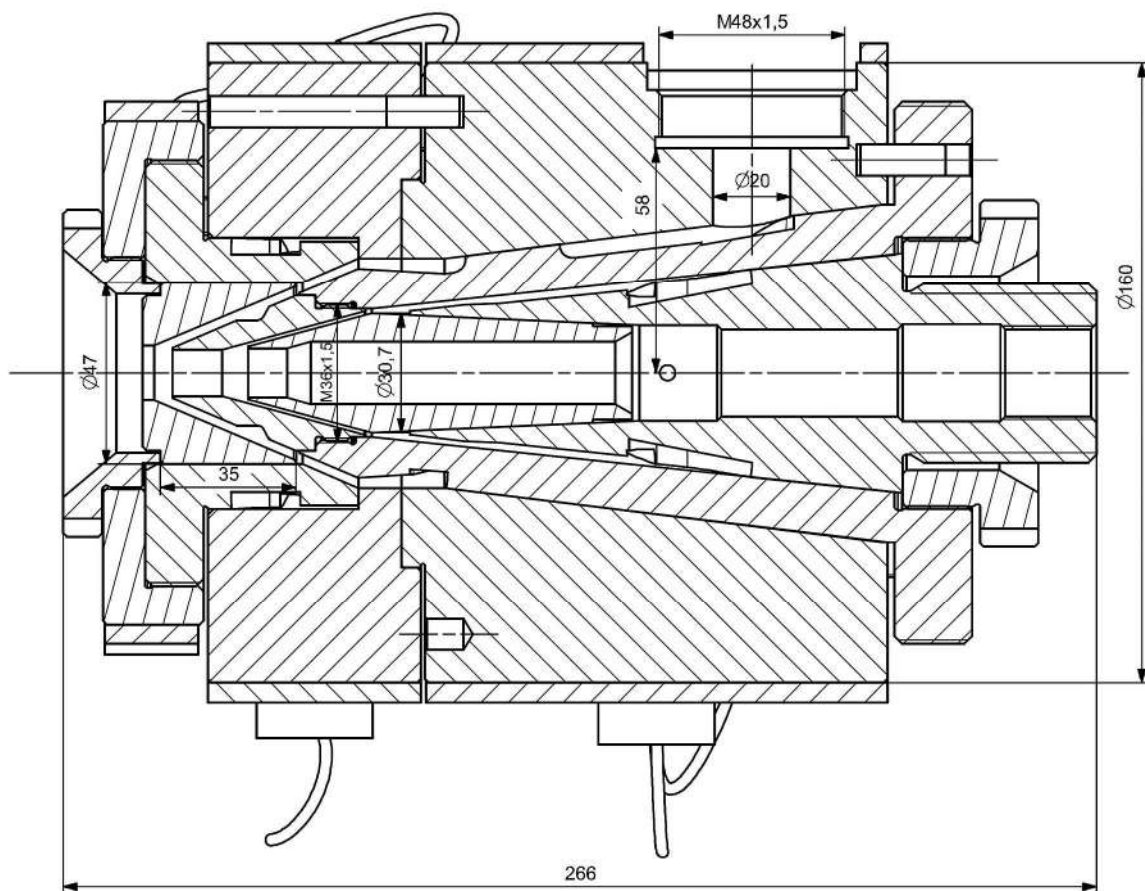
**APPLICATION:**

- double layer
- double layer + skin
- double layer + stripe





# CROSSHEAD TD16S2K



# CROSSHEAD TD20M3K



TYPE: manually centered

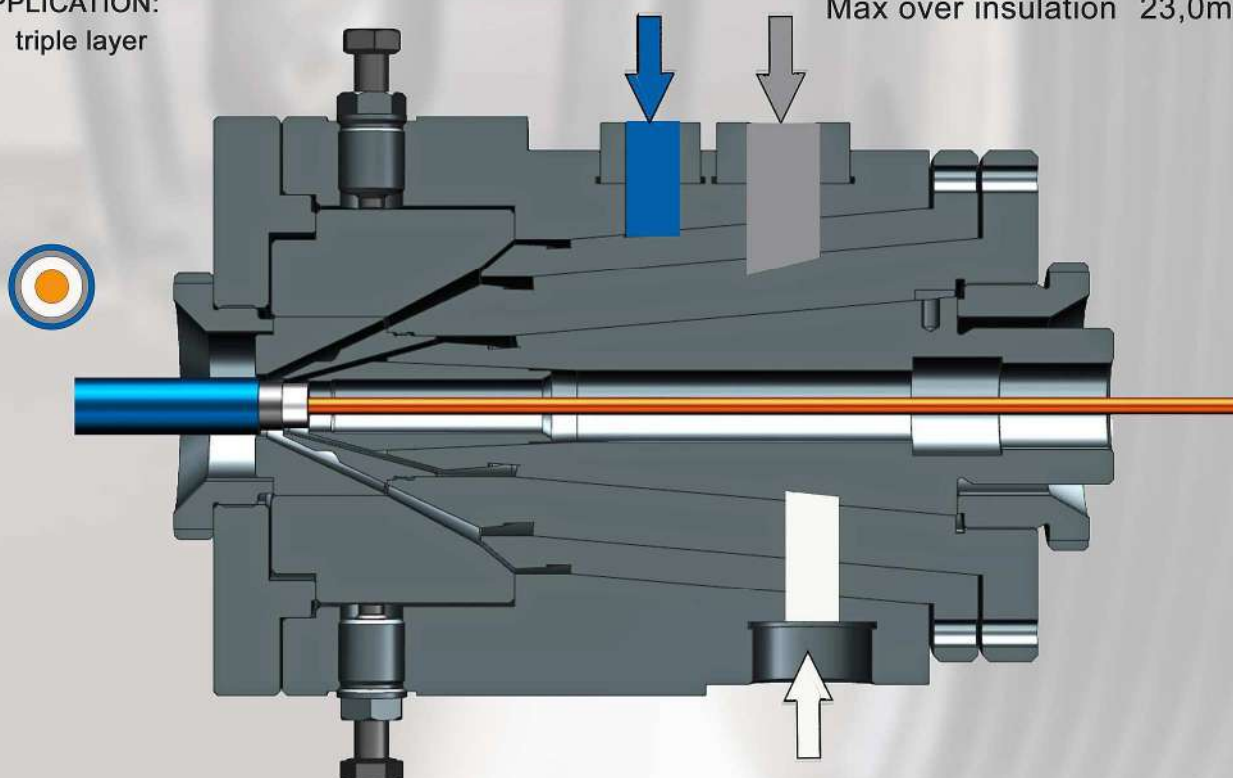
Heating band heaters

Min conductor 4,0mm

Max conductor 20,0mm

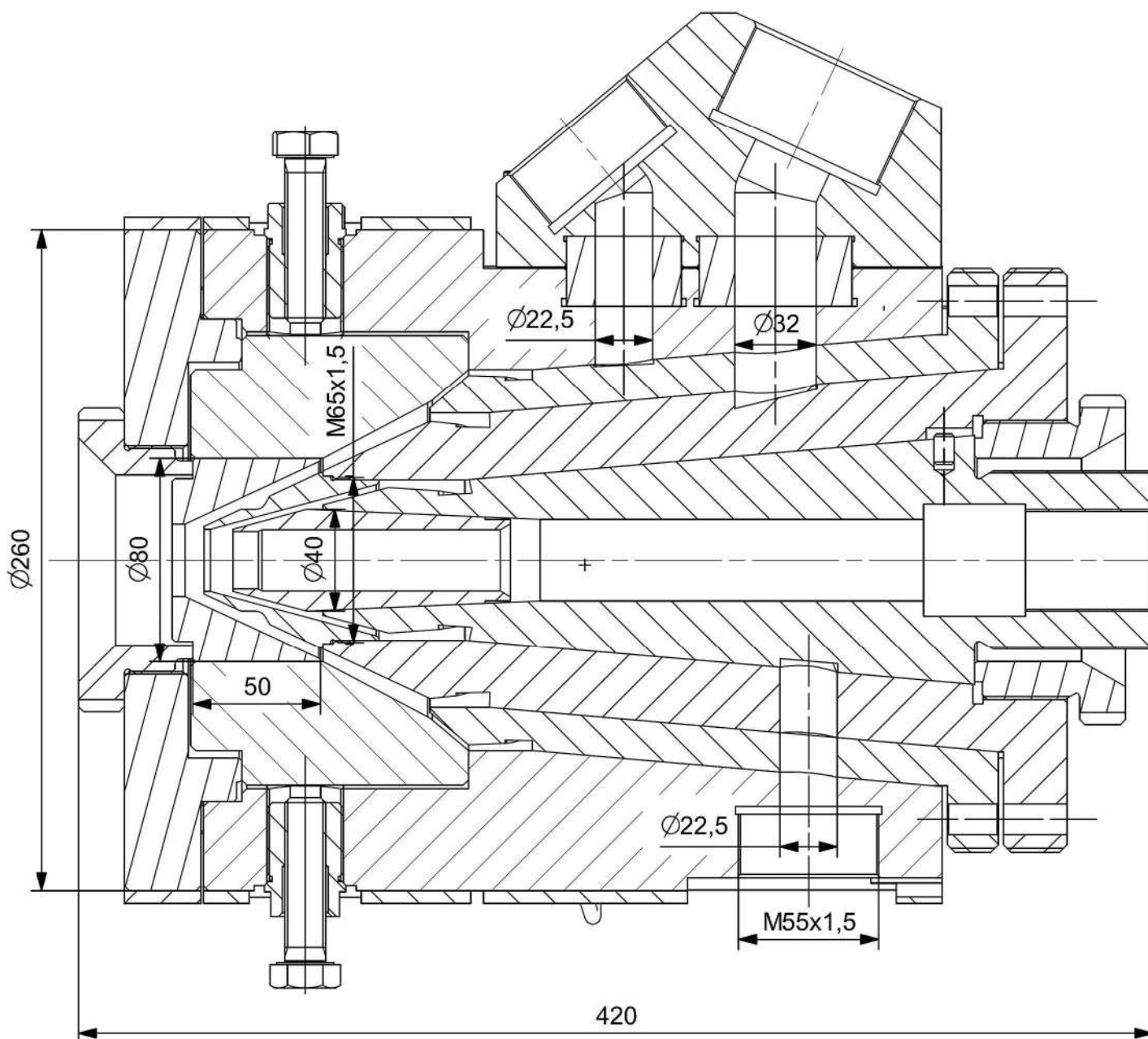
Max over insulation 23,0mm

APPLICATION:  
- triple layer





# CROSSHEAD TD20M3K





# CROSSHEAD TD25-3SK



TYPE: fixed center

Heating

band heaters

Min conductor

4,0mm

Max conductor

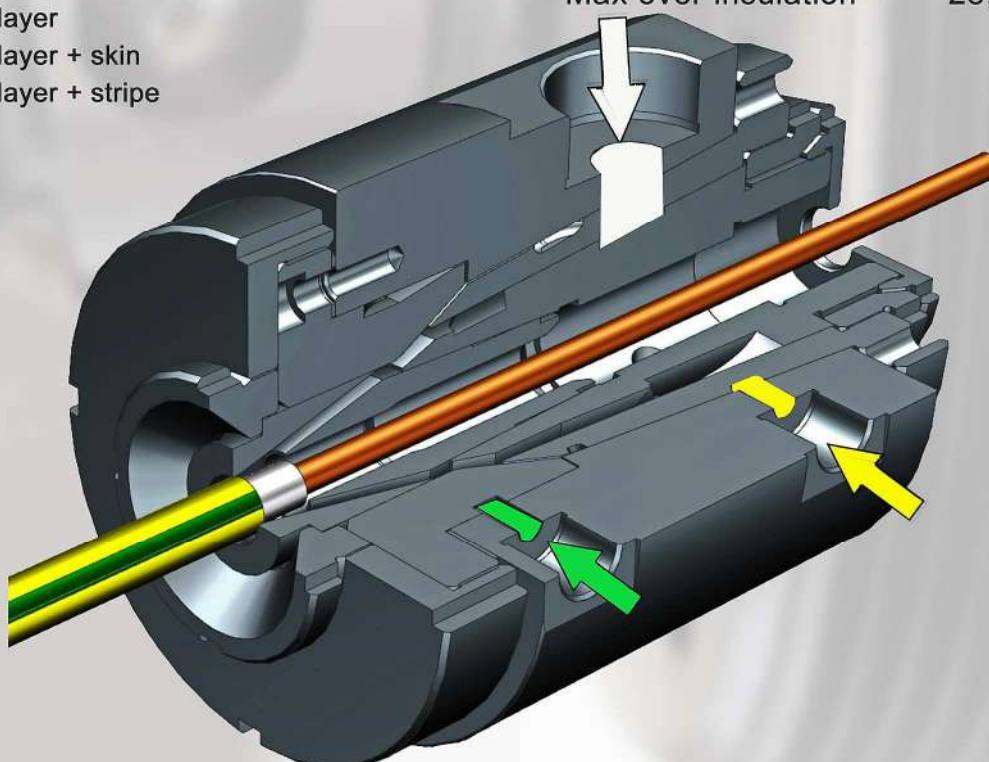
25,0mm

Max over insulation

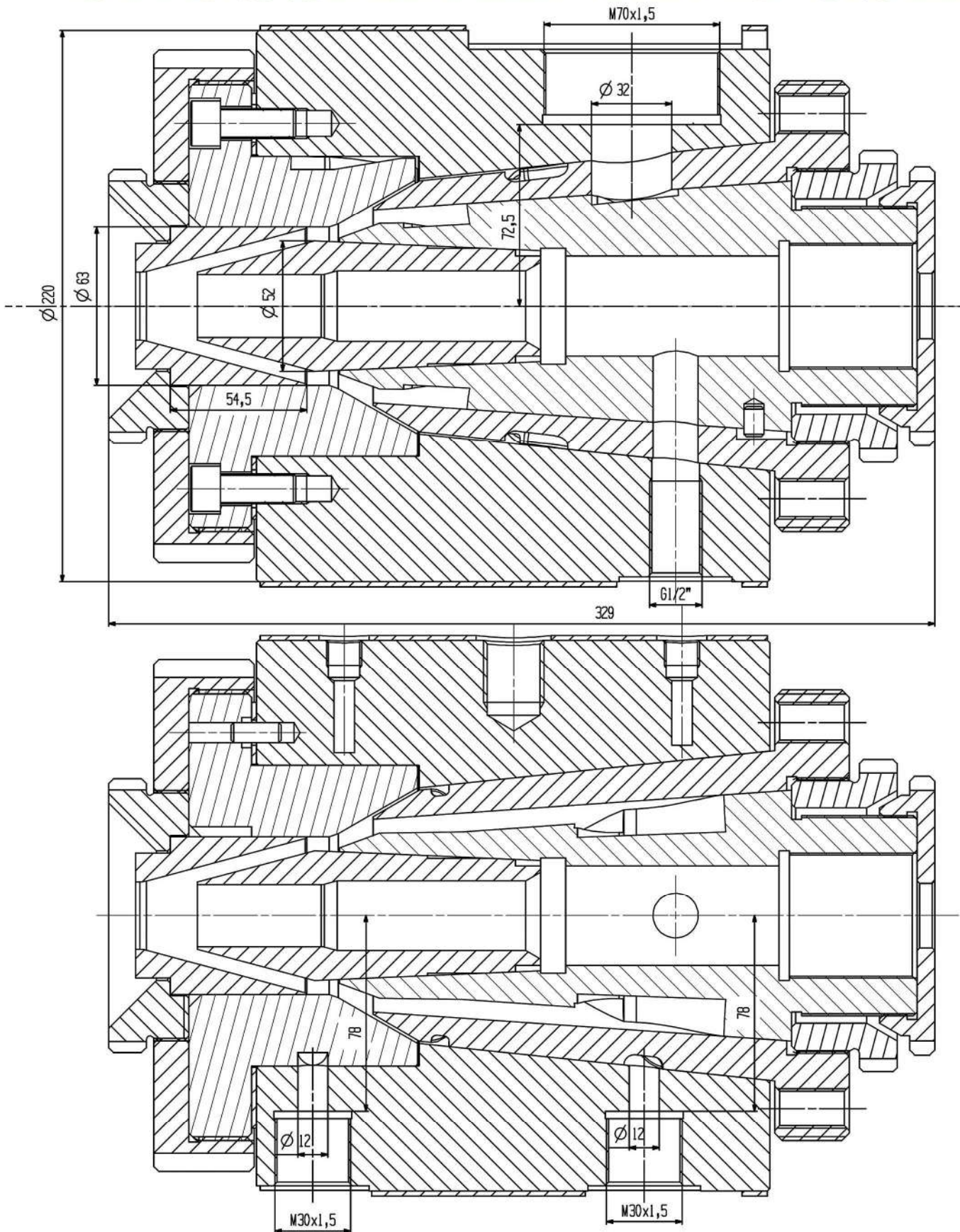
28,0mm

**APPLICATION:**

- double layer
- double layer + skin
- double layer + stripe

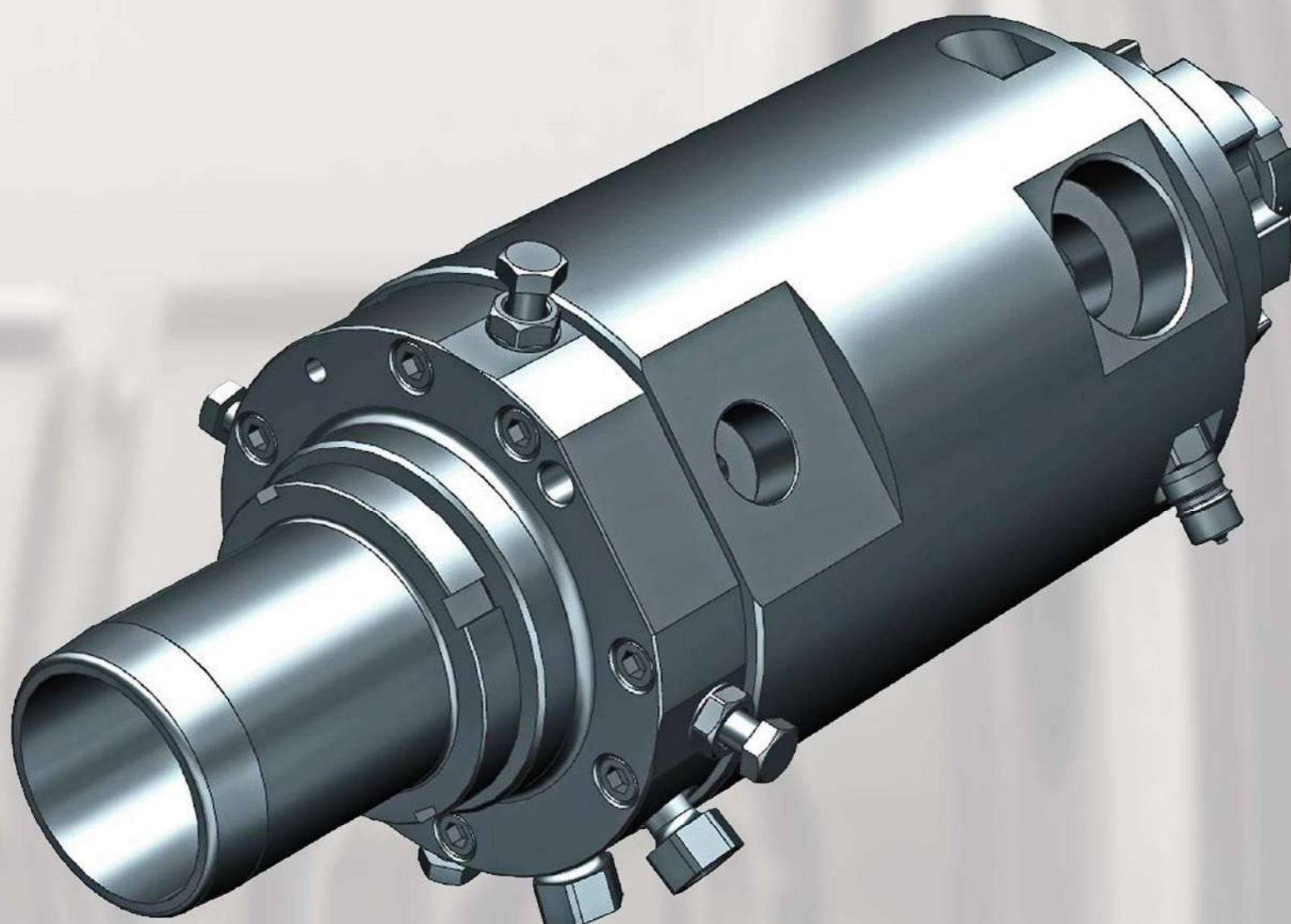


# CROSSHEAD TD25-3SK





# CROSSHEAD TD40MKTR



TYPE: manually centered

Heating thermoregulated by water (oil)

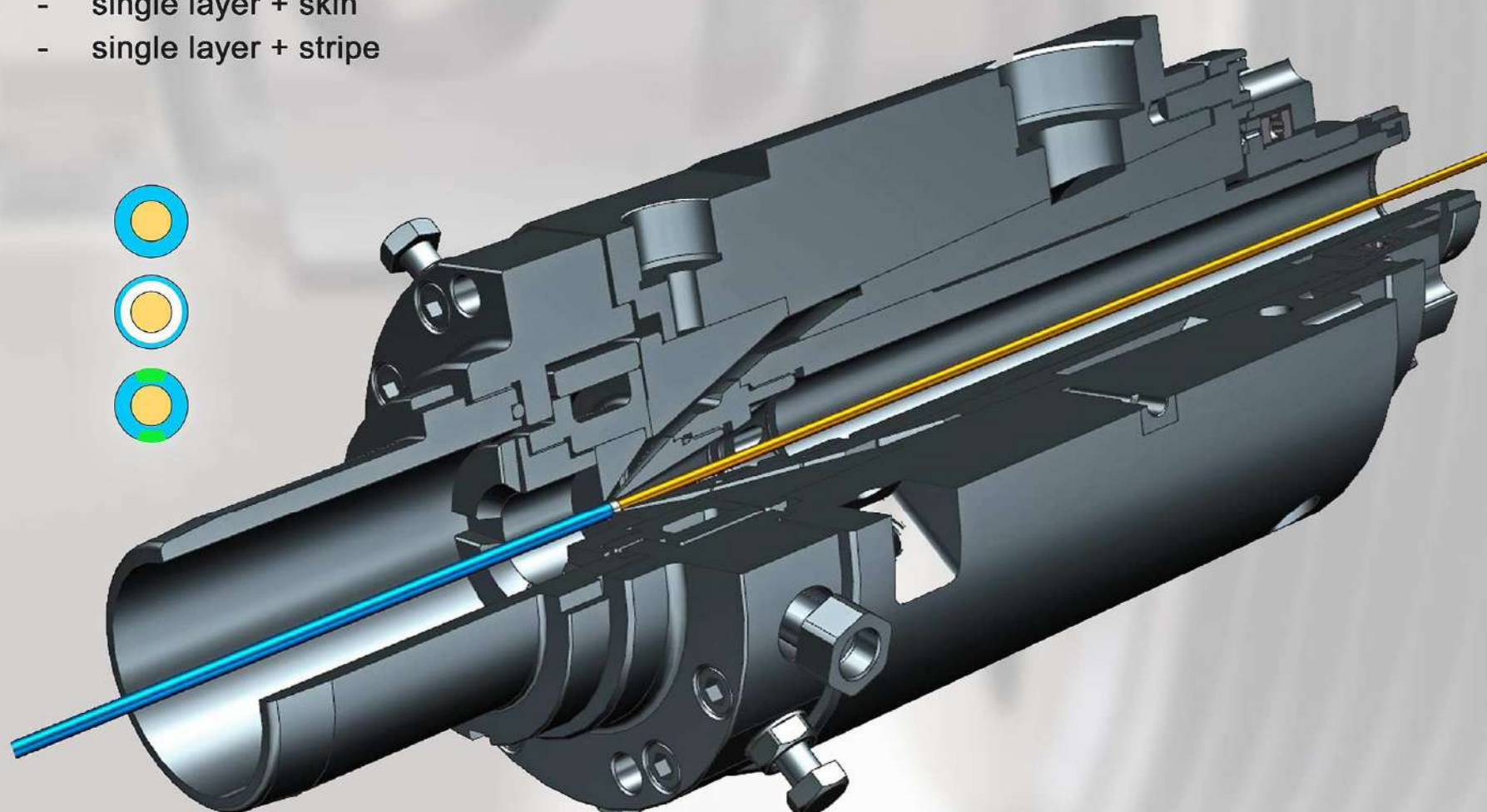
Min conductor 2,0mm

Max conductor 11,0mm

Max over insulation 25,0mm

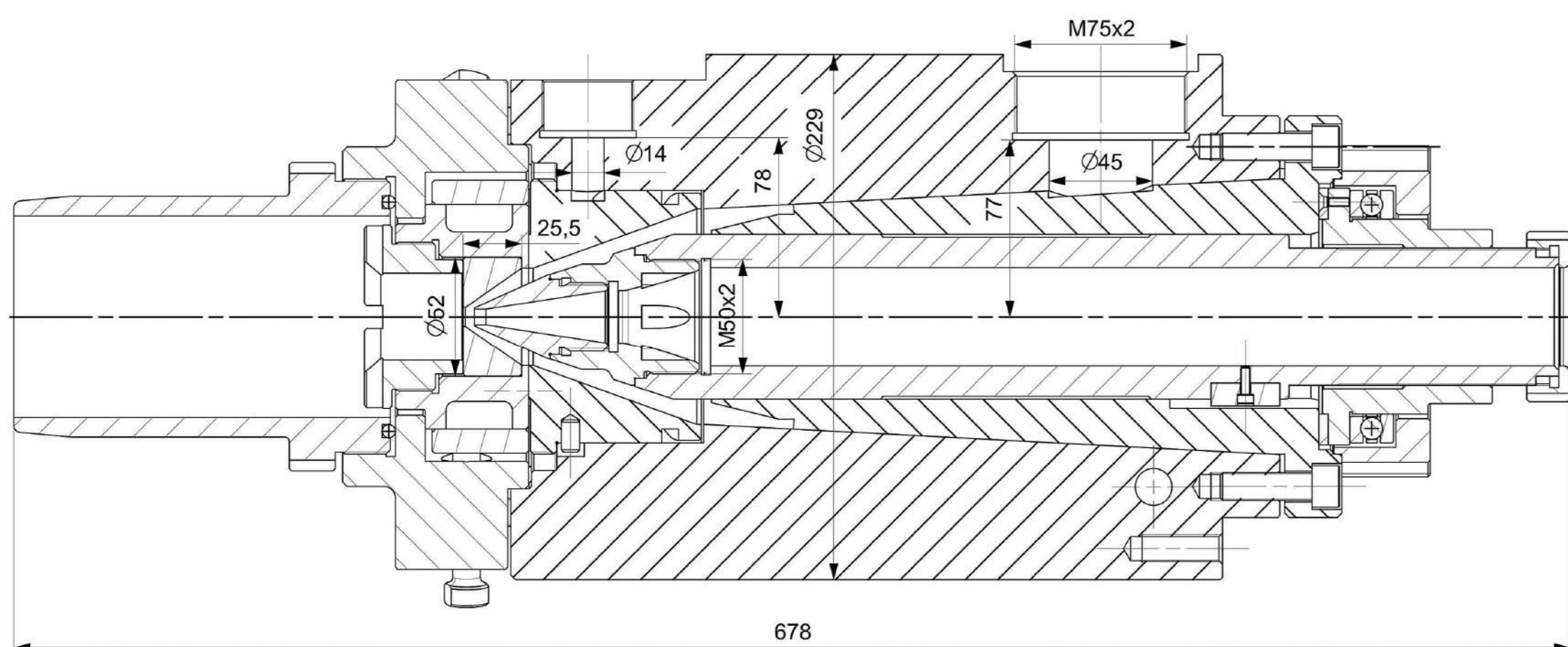
APPLICATION:

- single layer
- single layer + skin
- single layer + stripe





# CROSSHEAD TD40MKTR



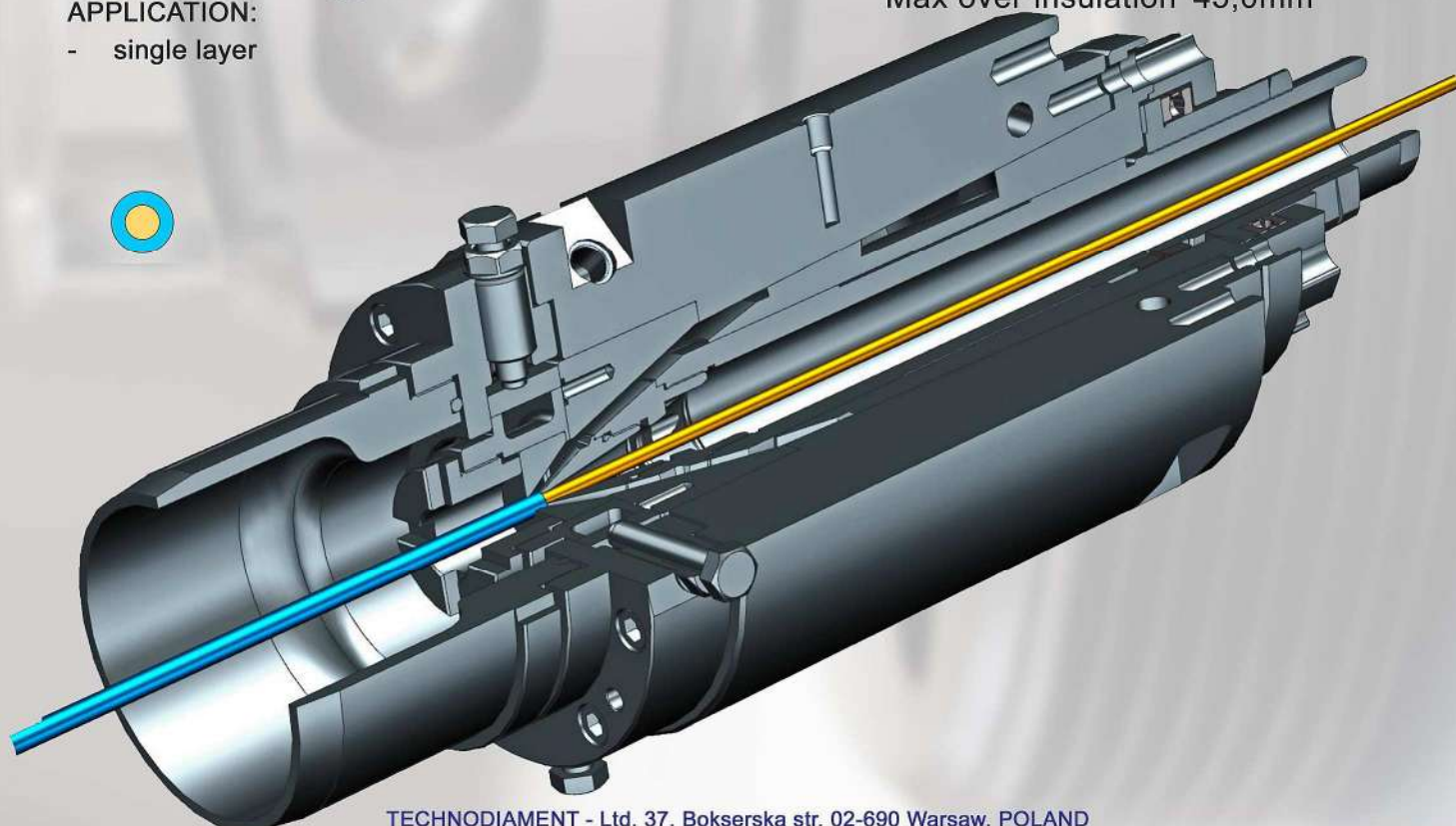


# CROSSHEAD TD40MTR



TYPE: manually centered  
Heating thermoregulated by oil  
Min conductor 5,0mm  
Max conductor 40,0mm  
Max over insulation 45,0mm

APPLICATION:  
- single layer



# CROSSHEAD TD40MTR

