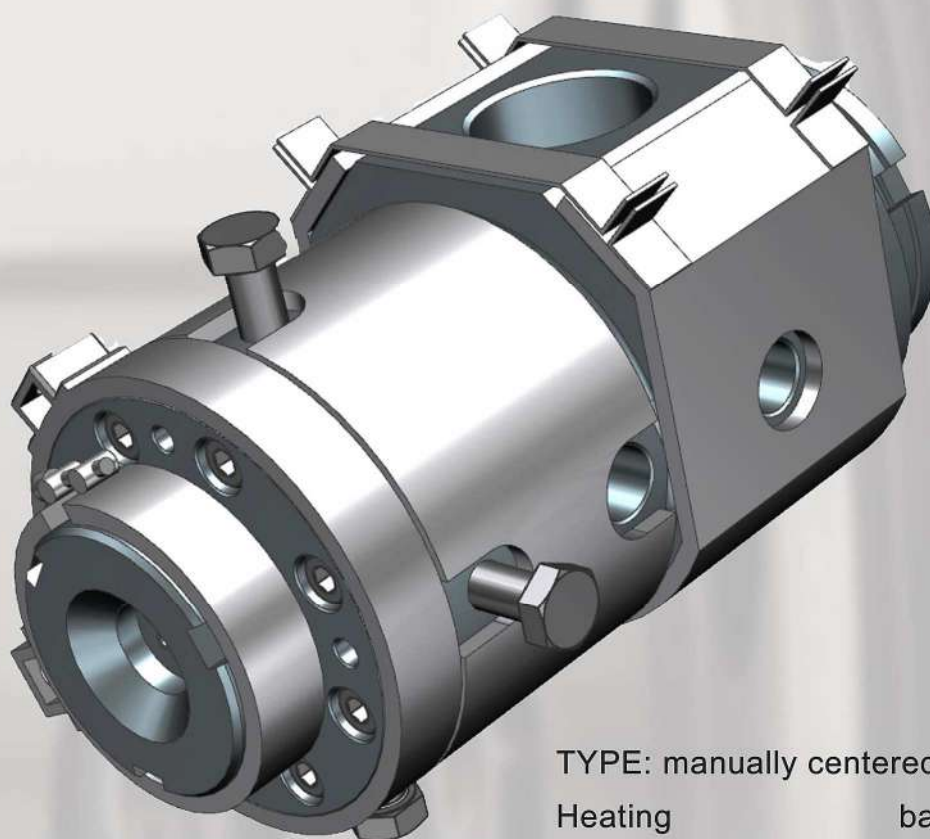


# CROSSHEAD TD16M



TYPE: manually centered

Heating band heaters

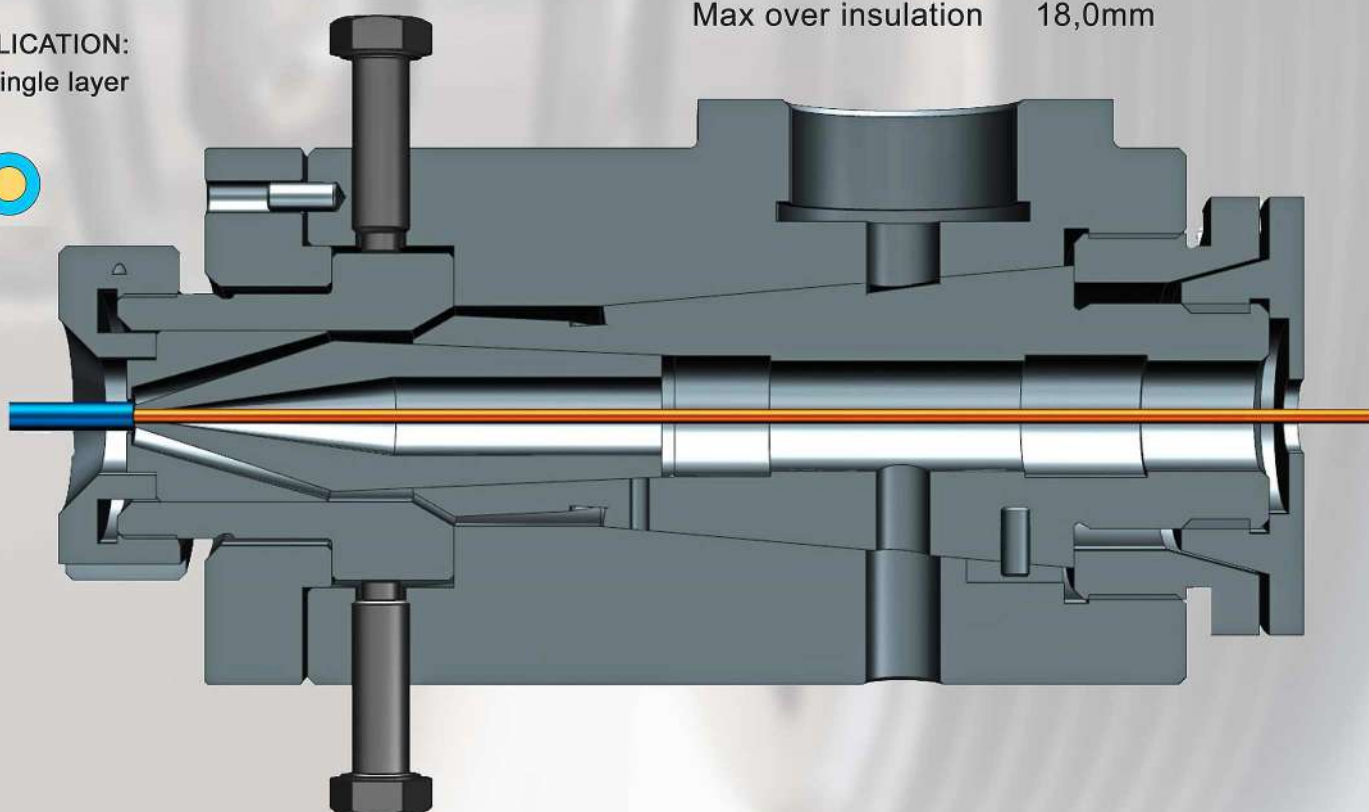
Min conductor 0,5mm

Max conductor 16,0mm

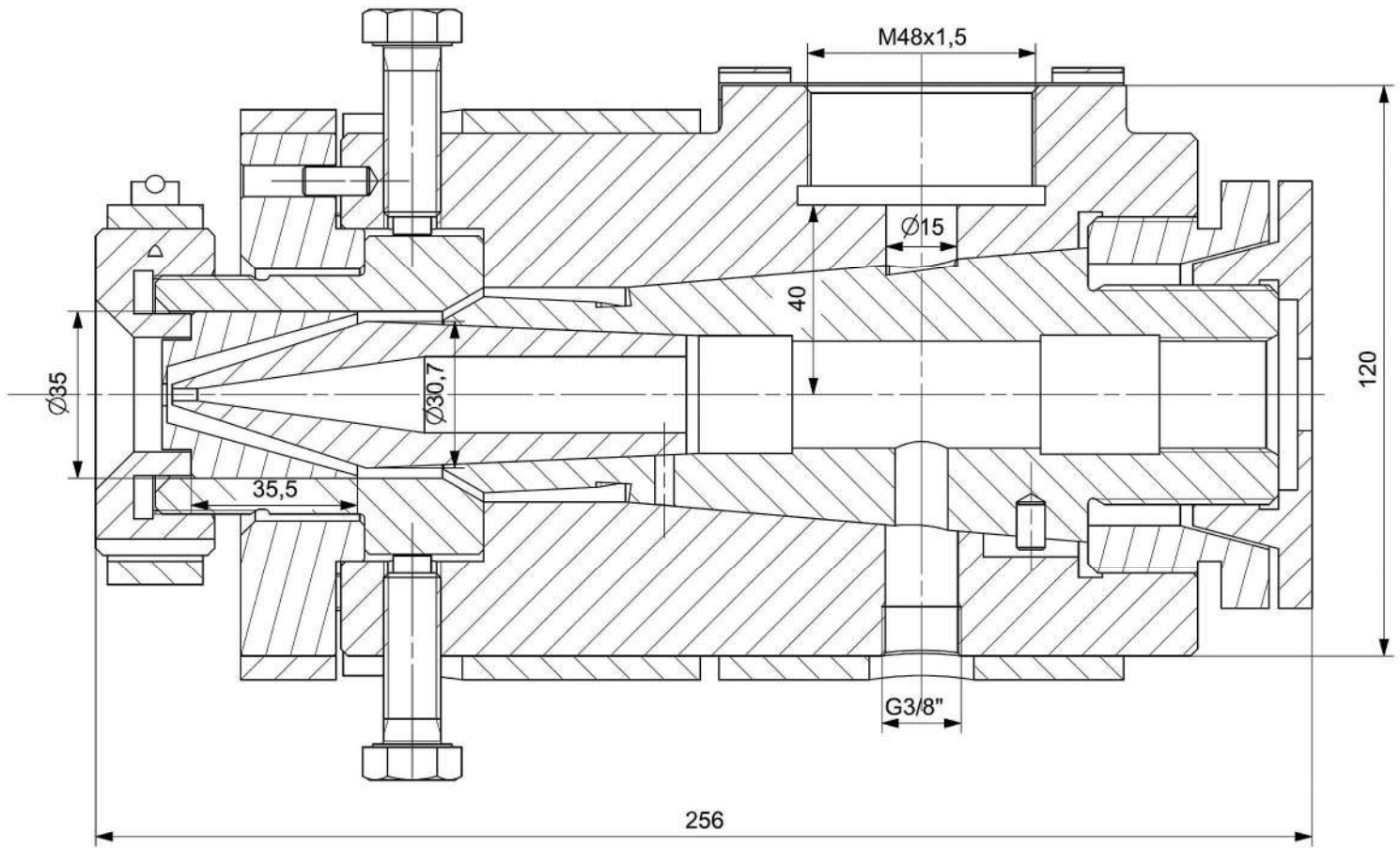
Max over insulation 18,0mm

APPLICATION:

- single layer



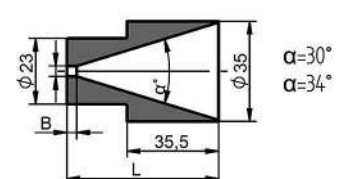
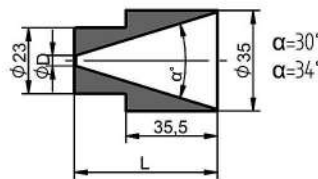
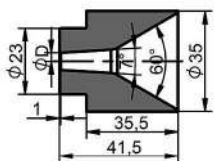
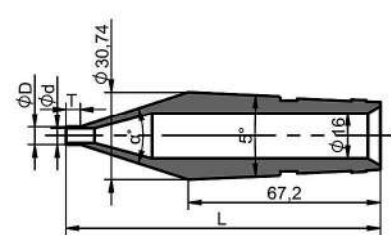
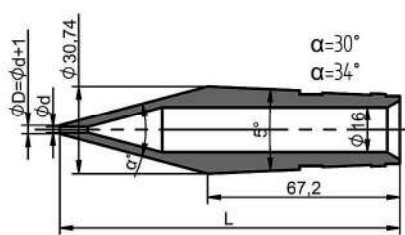
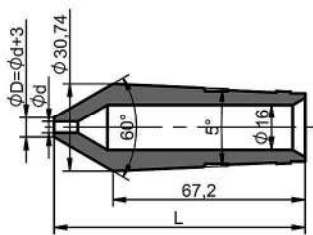
# CROSSHEAD TD16M



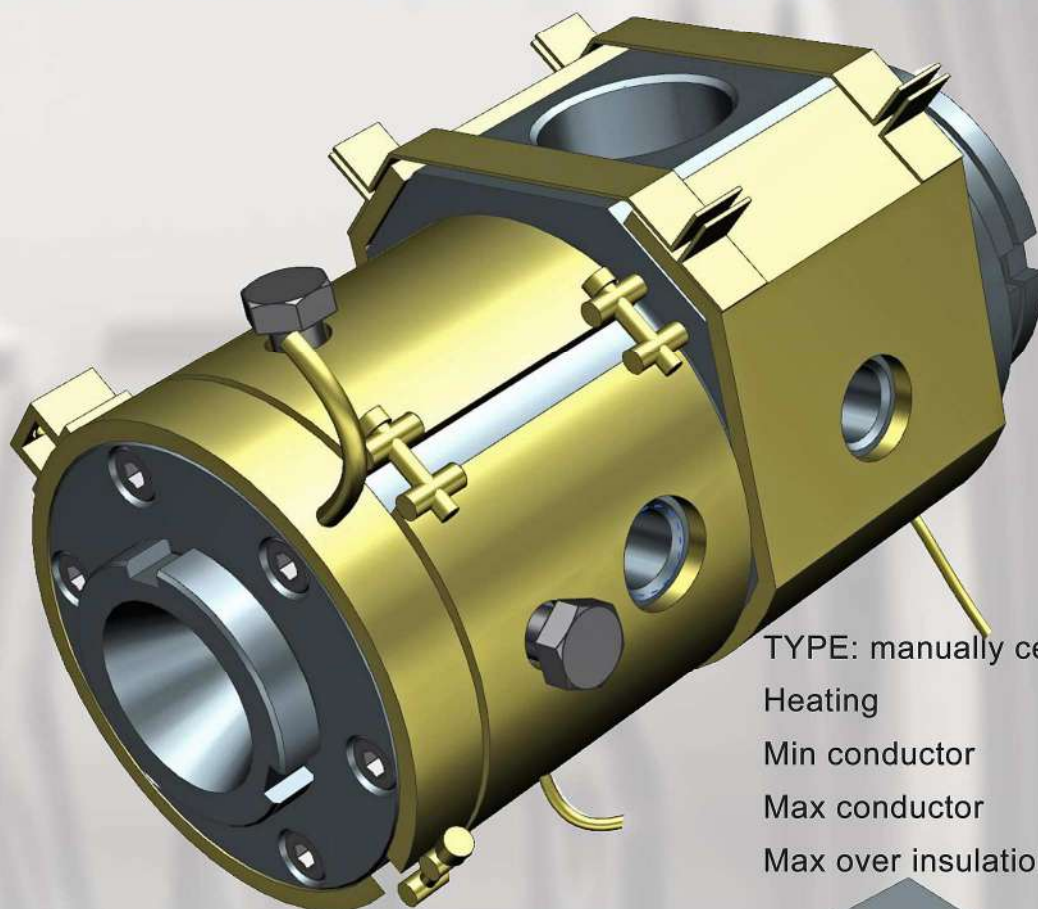
**Compression type**

**Semicompression type**

**Tube type**



# CROSSHEAD TD16MK



TYPE: manually centered

Heating band heaters

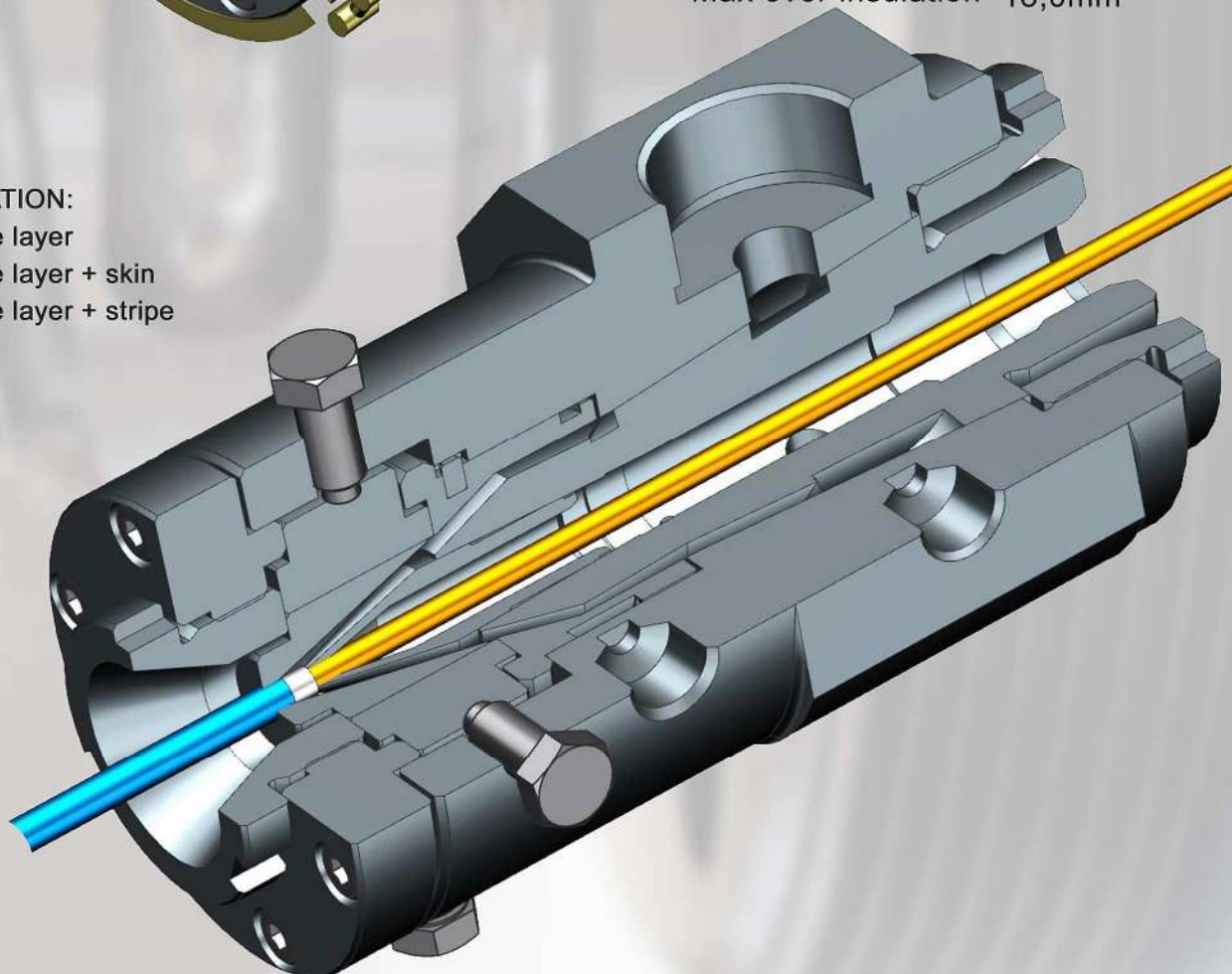
Min conductor 0,5mm

Max conductor 16,0mm

Max over insulation 18,0mm

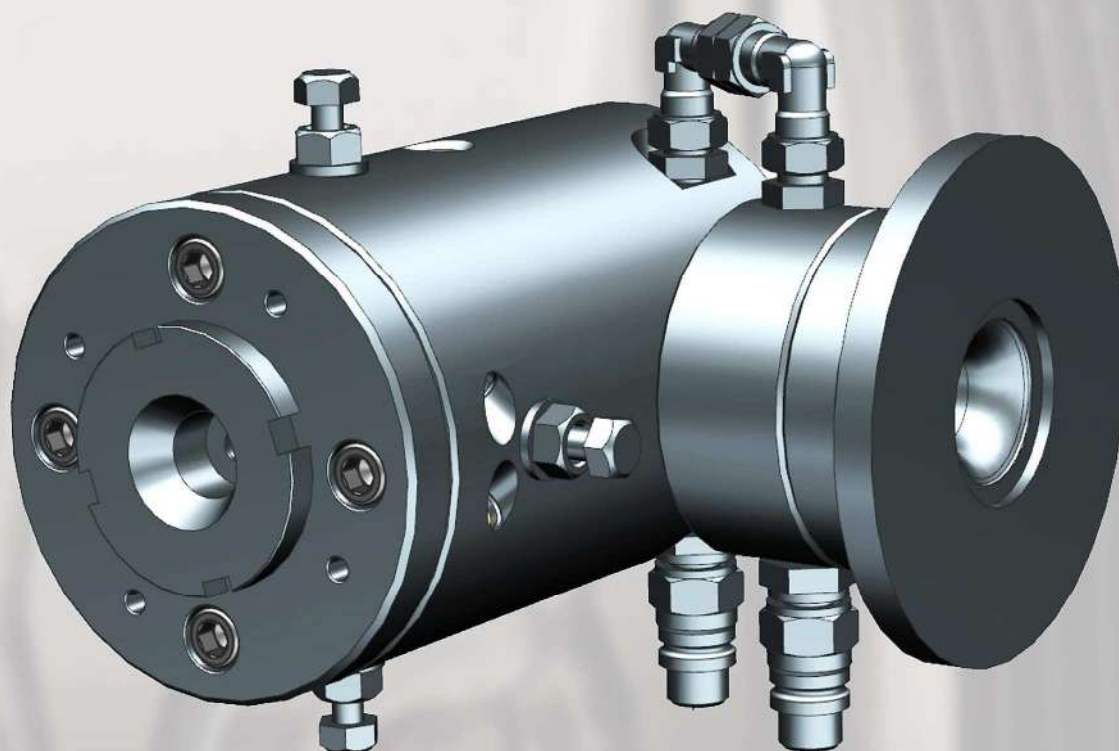
## APPLICATION:

- single layer
- single layer + skin
- single layer + stripe





# CROSSHEAD TD16MT



TYPE: manually centered

Heating thermoregulated by oil

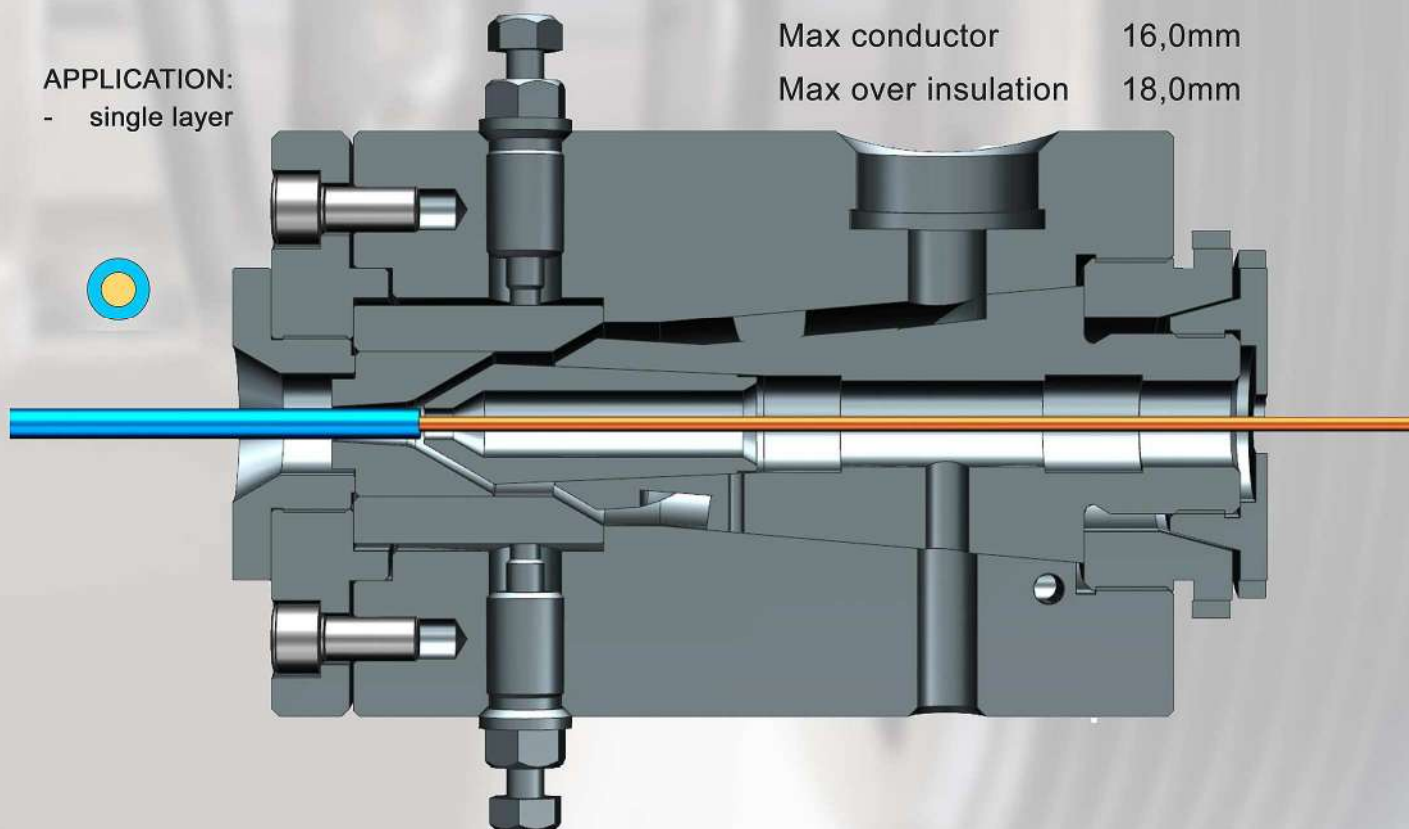
Min conductor 0,5mm

Max conductor 16,0mm

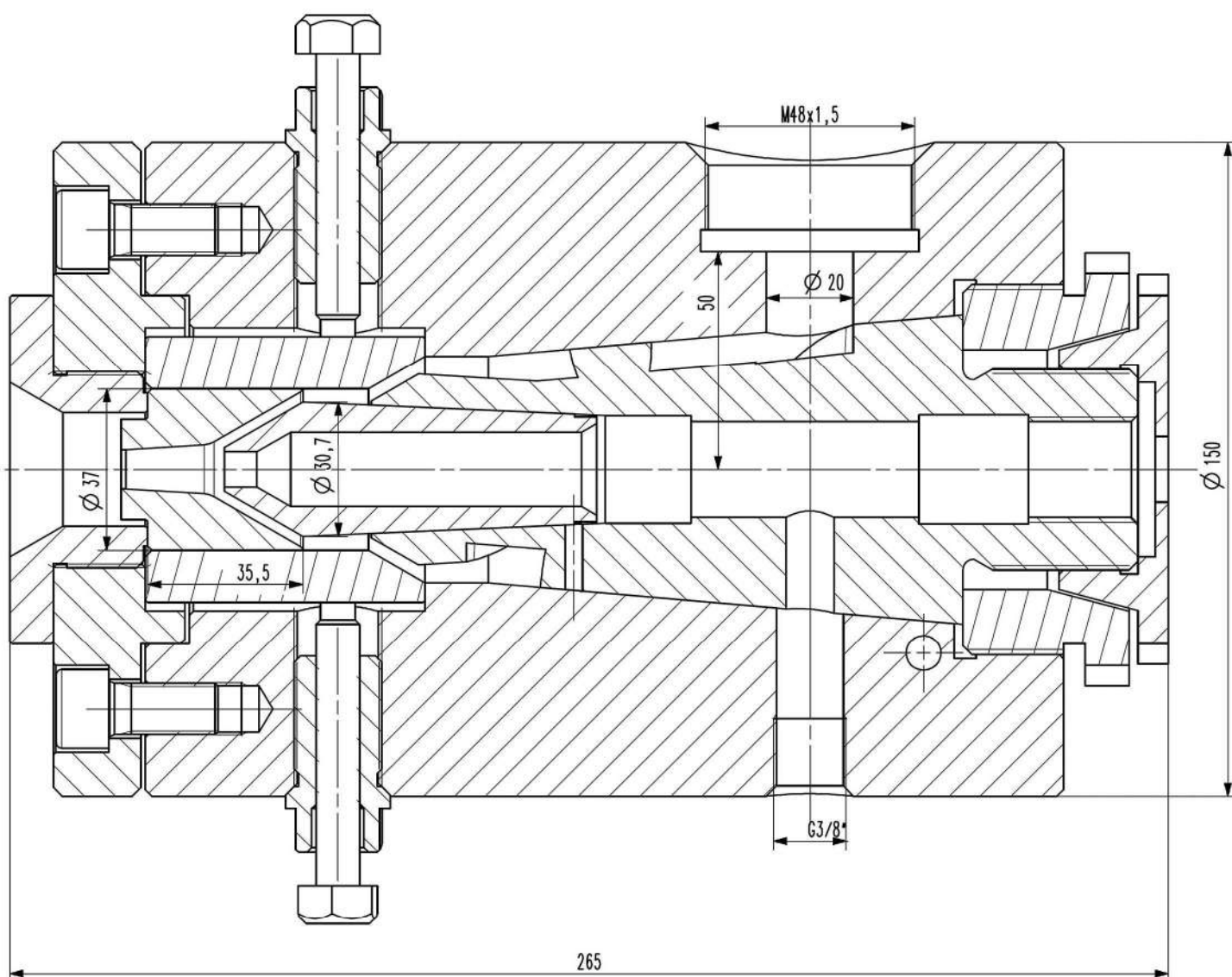
Max over insulation 18,0mm

APPLICATION:

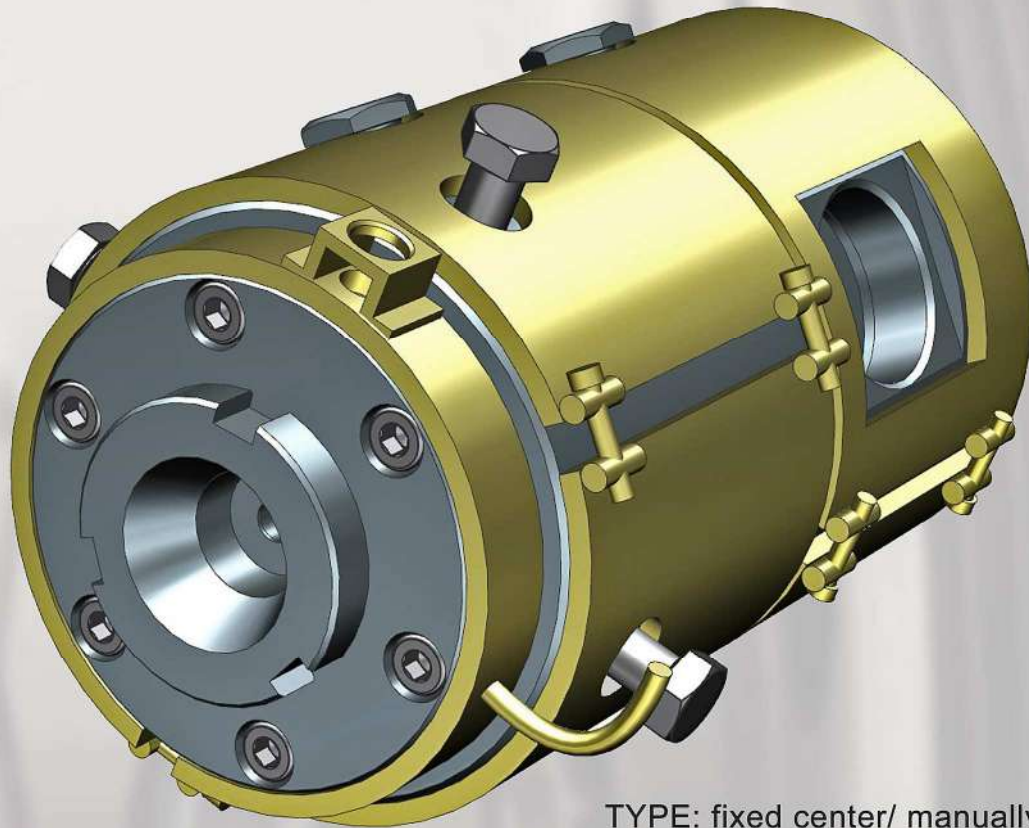
- single layer



# CROSSHEAD TD16MT



# CROSSHEAD TD16S-MK



TYPE: fixed center/ manually centered

Heating band heaters

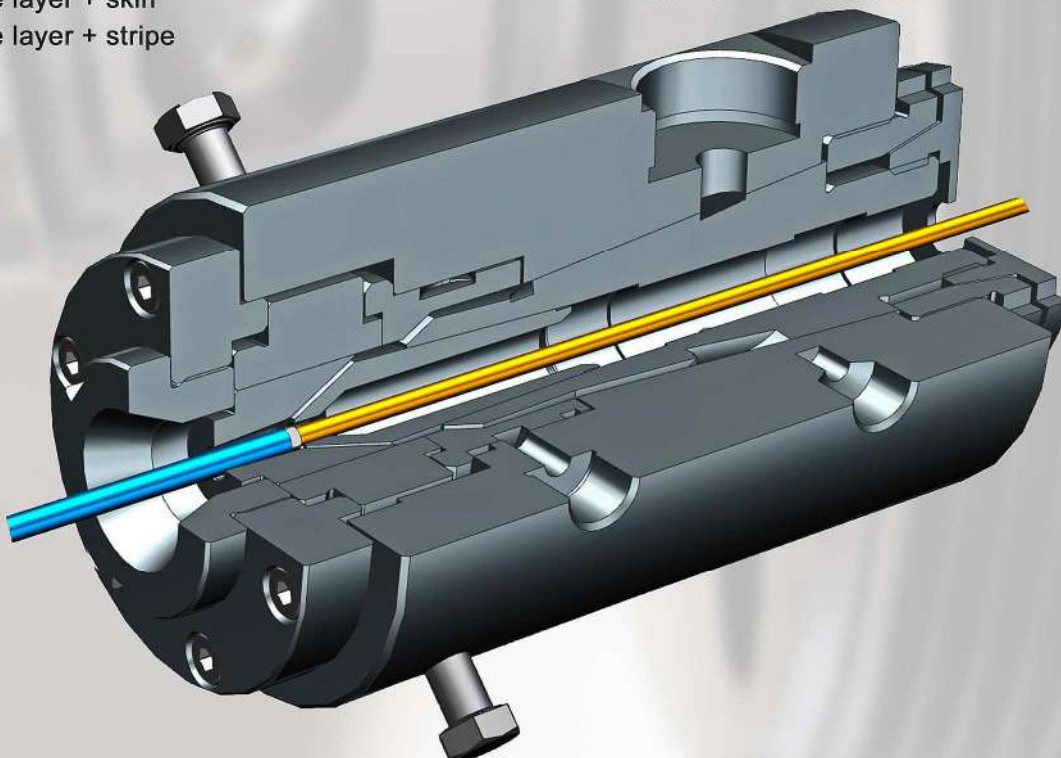
Min conductor 0,5mm

Max conductor 16,0mm

Max over insulation 18,0mm

## APPLICATION:

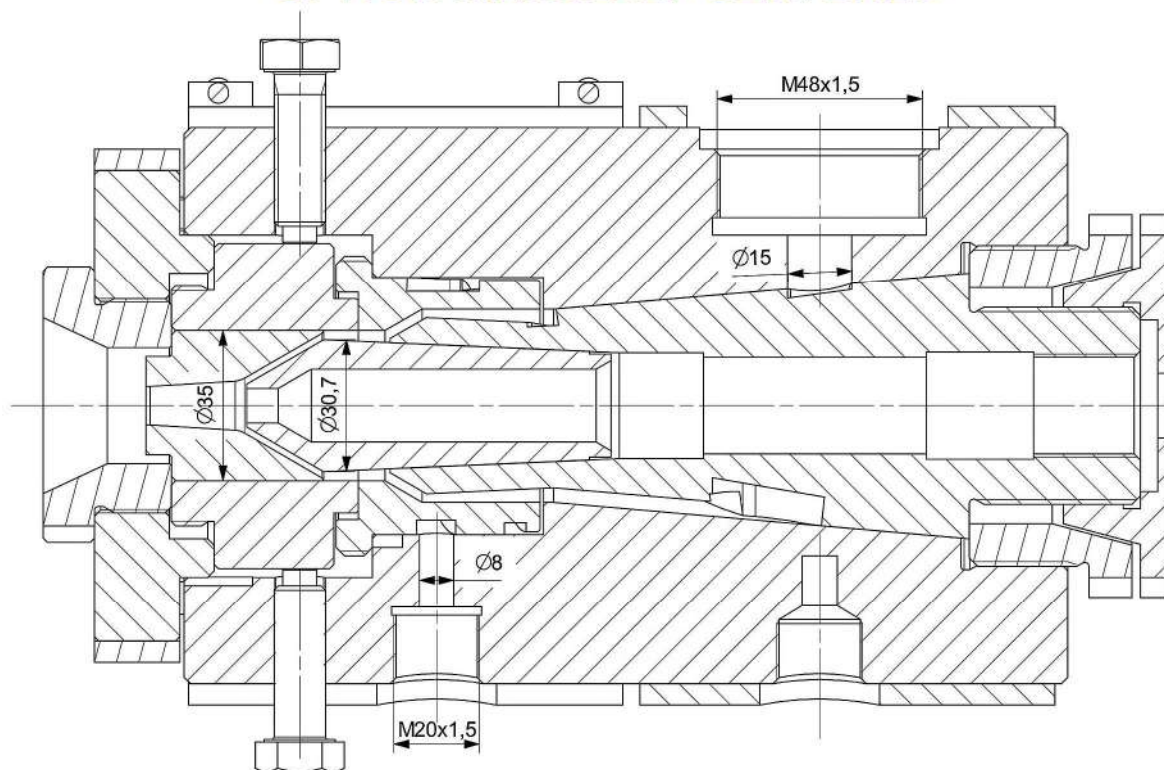
- single layer
- single layer + skin
- single layer + stripe



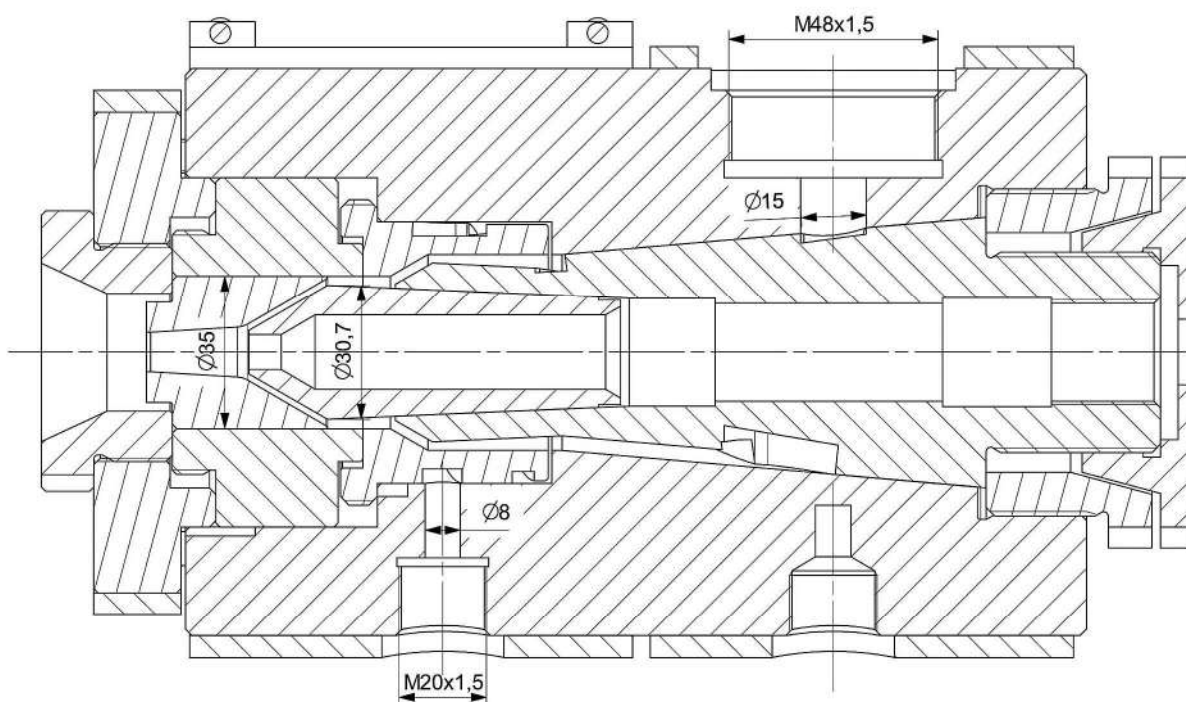
# CROSSHEAD TD16S-MK



## OPTION MANUALLY CENTERED

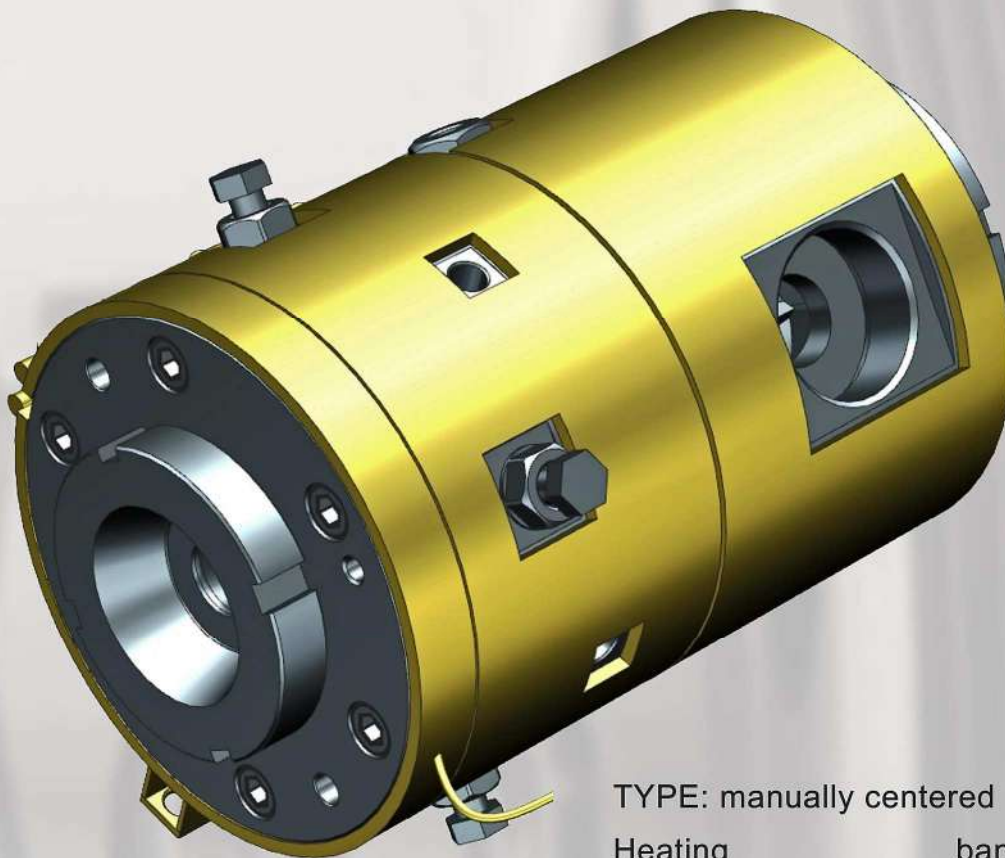


## OPTION FIXED CENTER





# CROSSHEAD TD25M



TYPE: manually centered

Heating band heaters

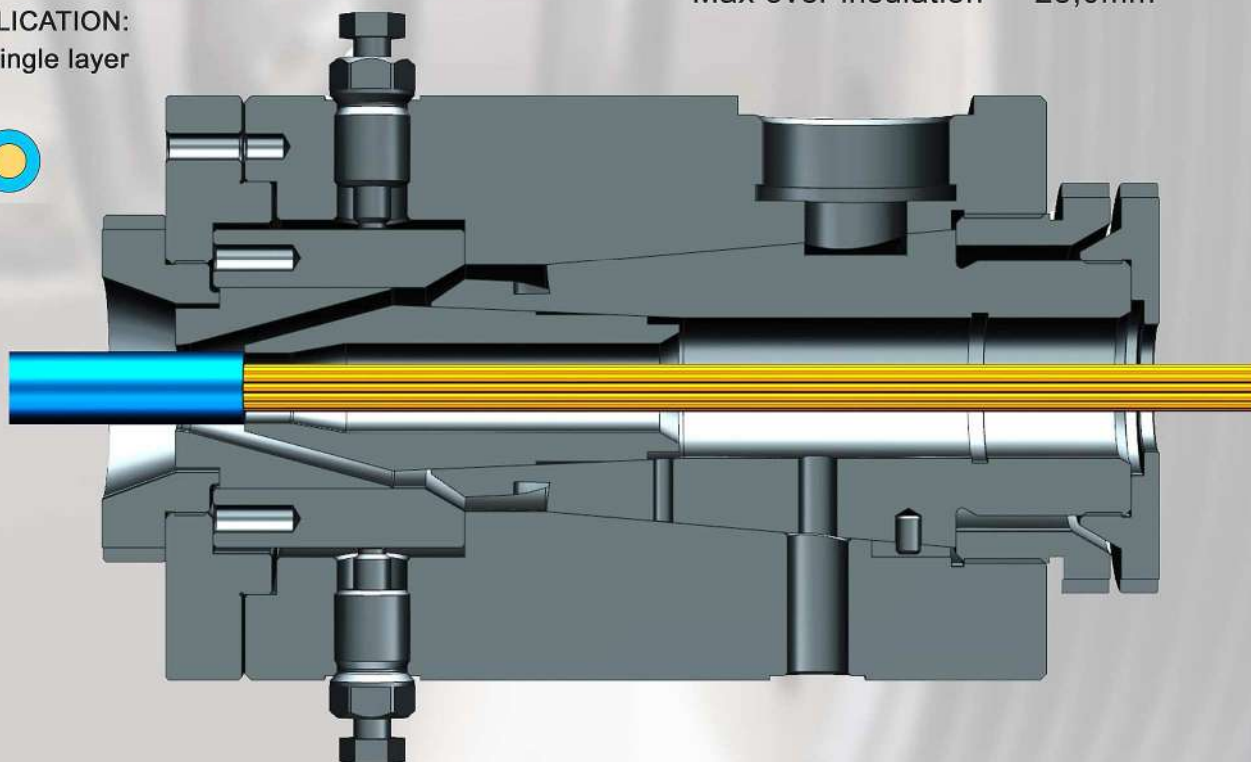
Min conductor 4,0mm

Max conductor 25,0mm

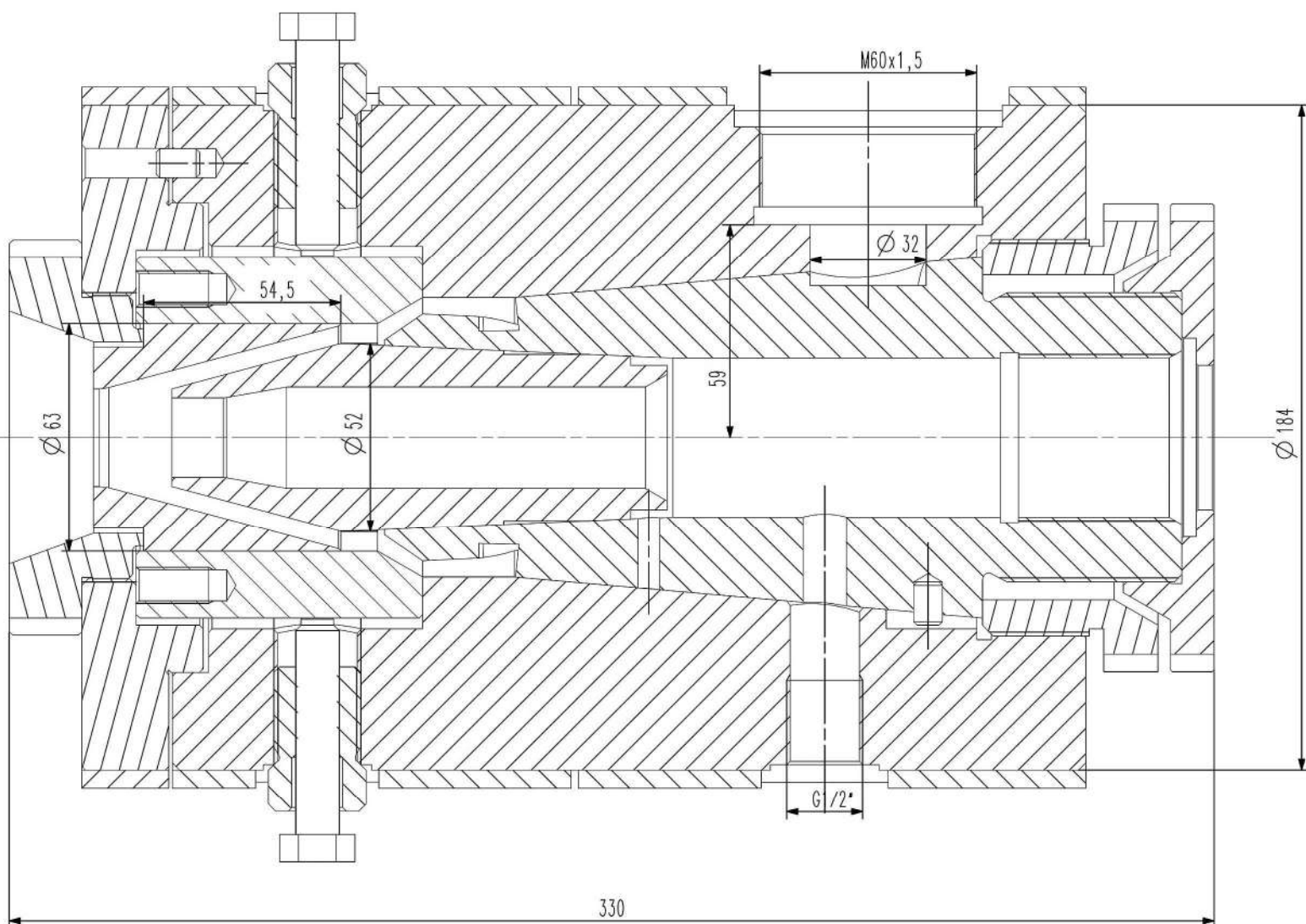
Max over insulation 28,0mm

APPLICATION:

- single layer



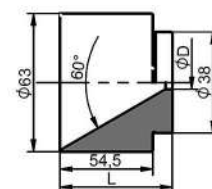
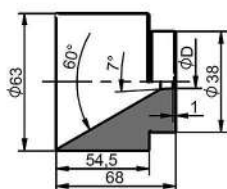
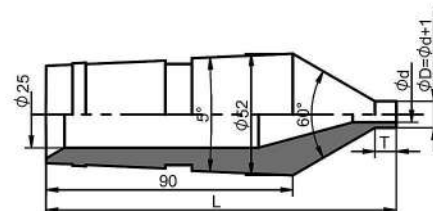
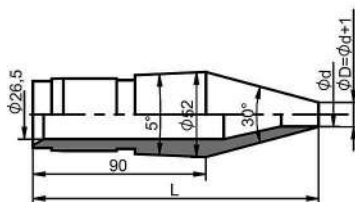
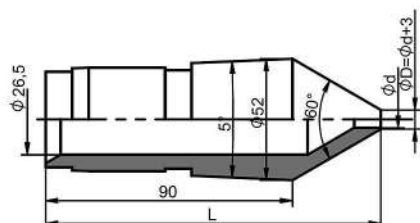
# CROSSHEAD TD25M



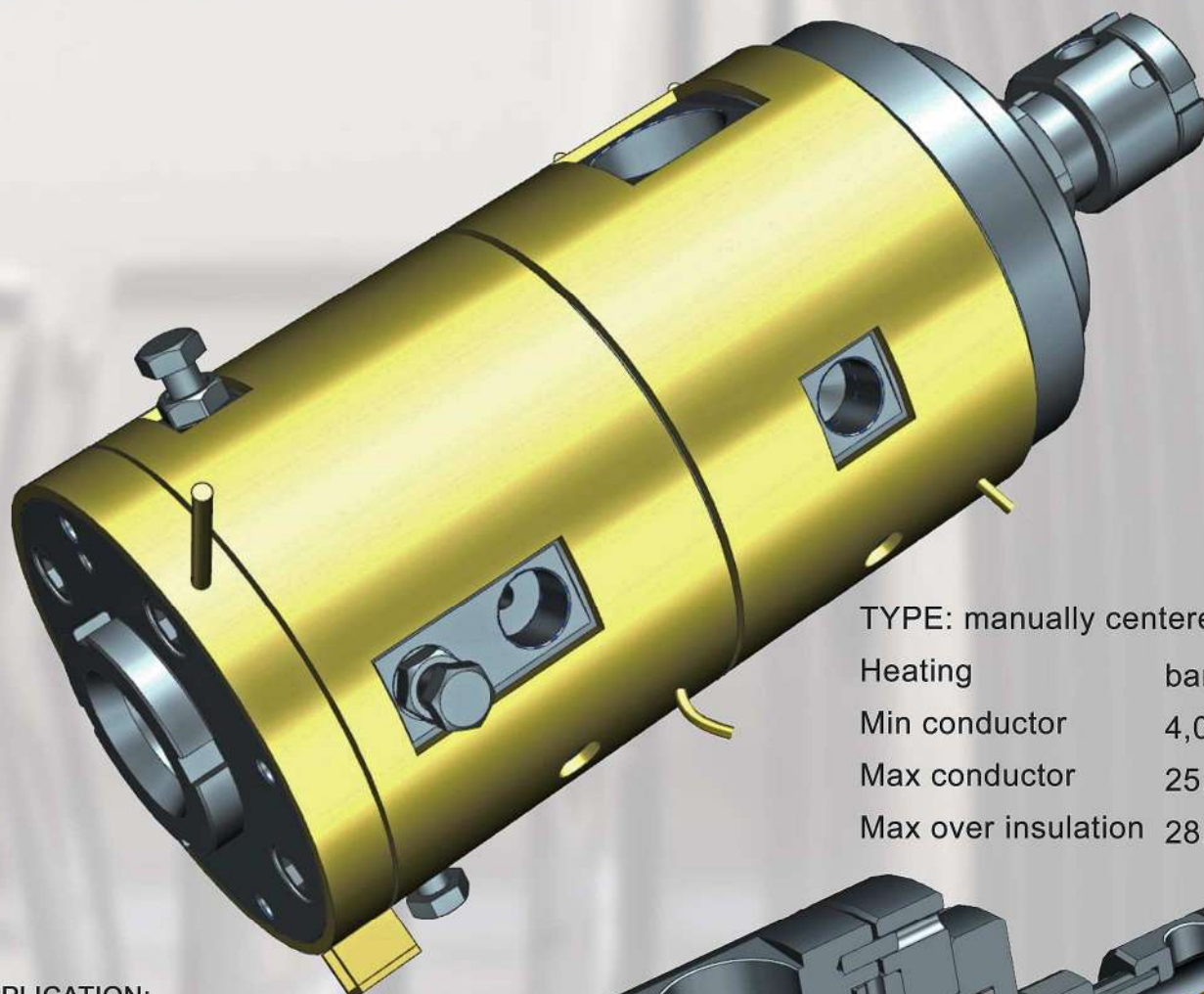
**Compression type**

**Semicompression type**

**Tube type**



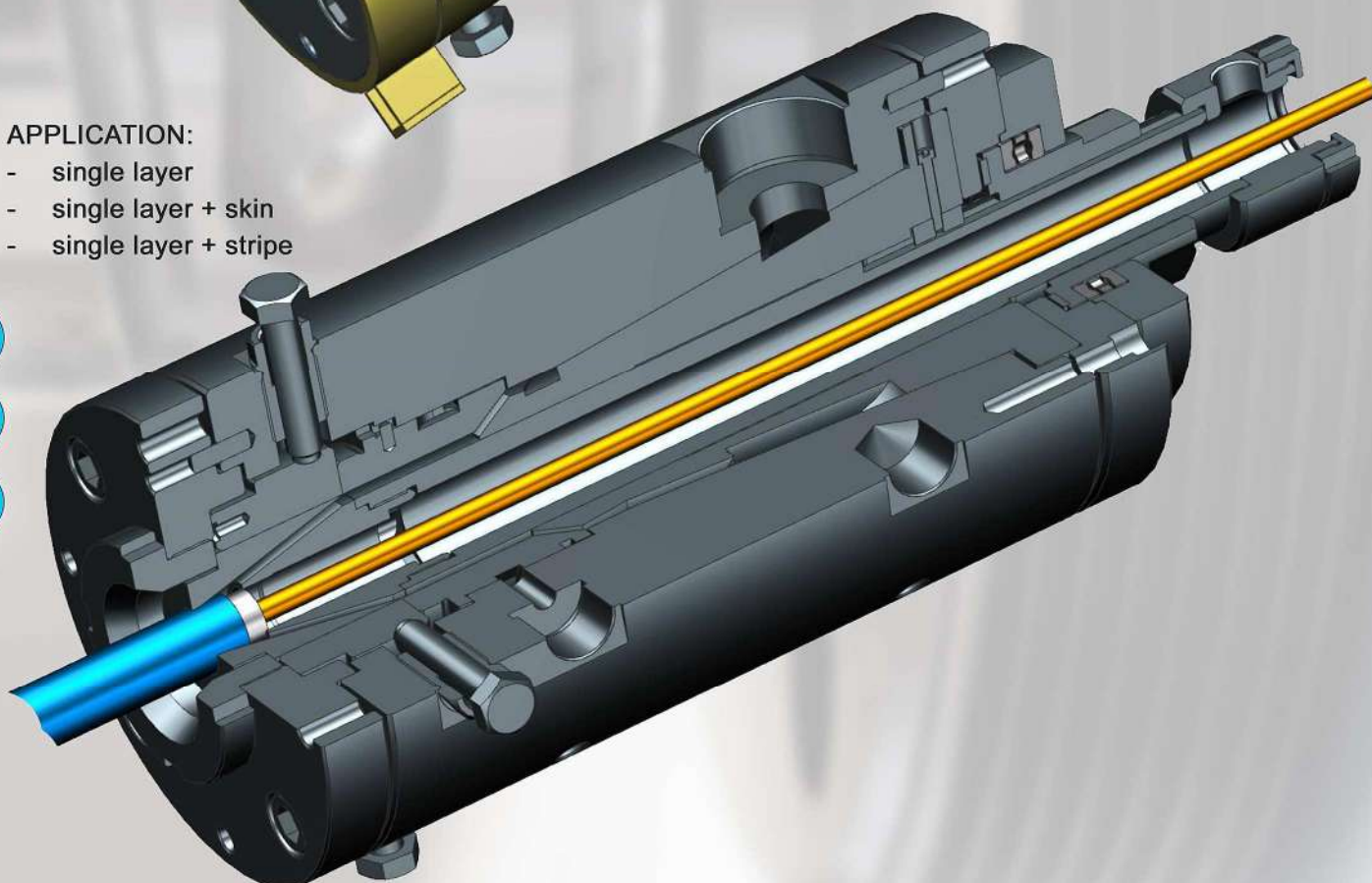
# CROSSHEAD TD25MKR



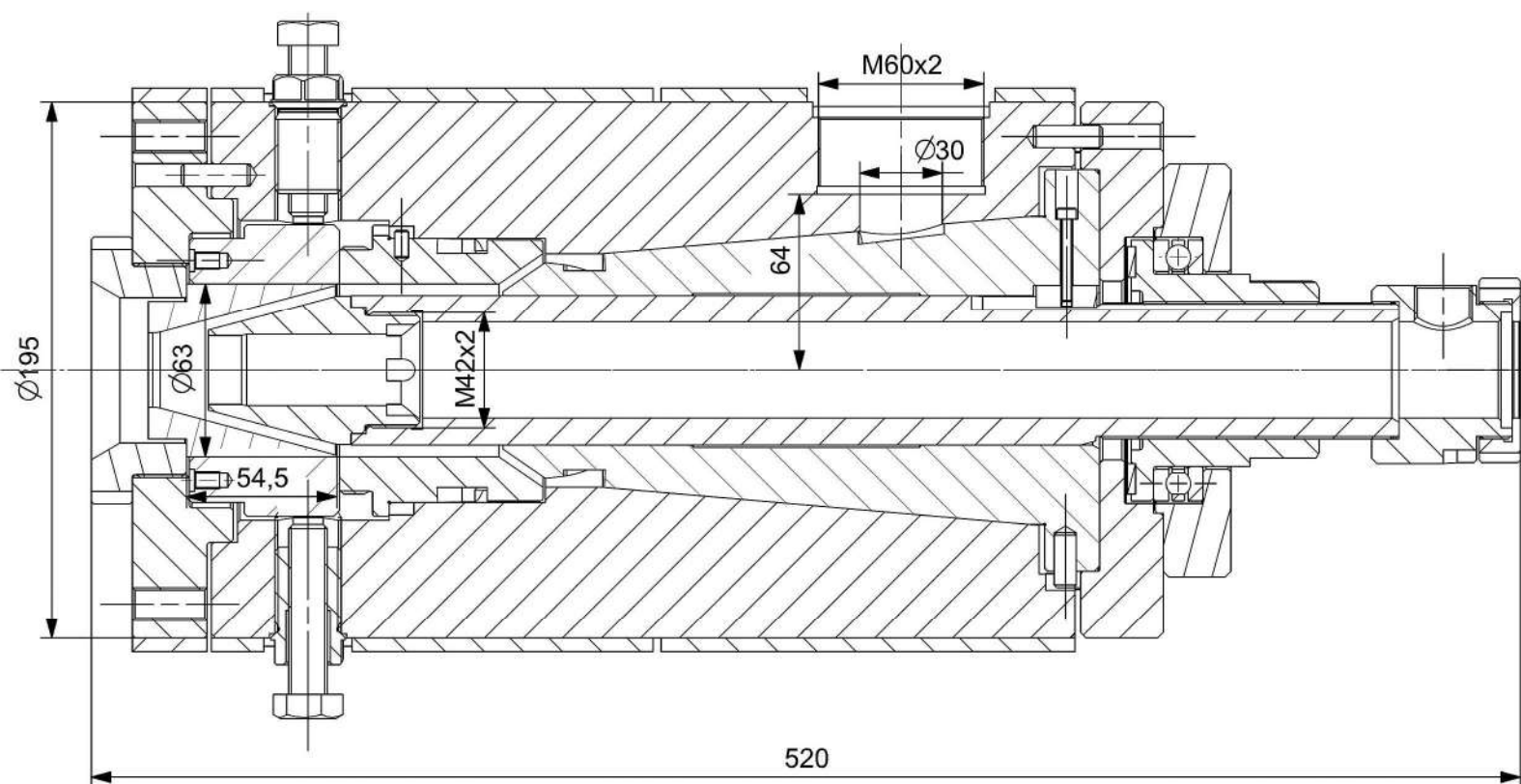
TYPE: manually centered  
 Heating band heaters  
 Min conductor 4,0mm  
 Max conductor 25,0mm  
 Max over insulation 28,0mm

**APPLICATION:**

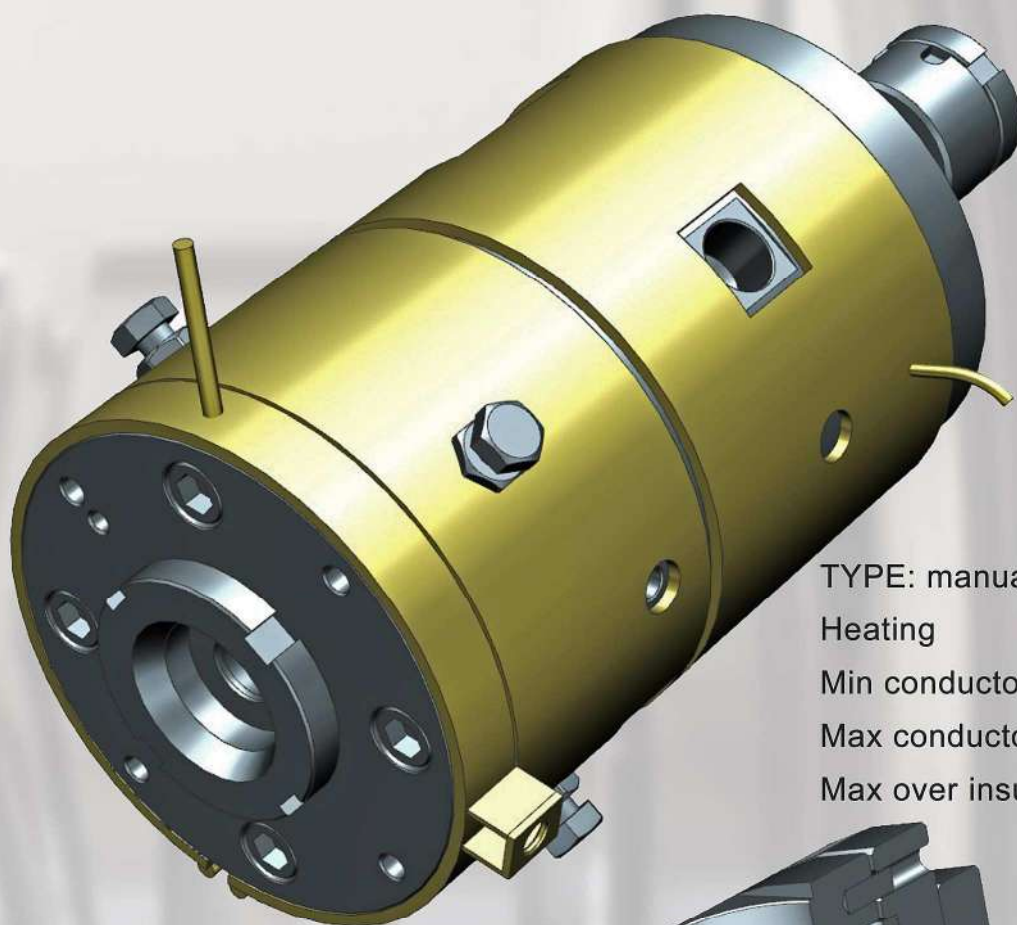
- single layer
- single layer + skin
- single layer + stripe



# CROSSHEAD TD25MKR

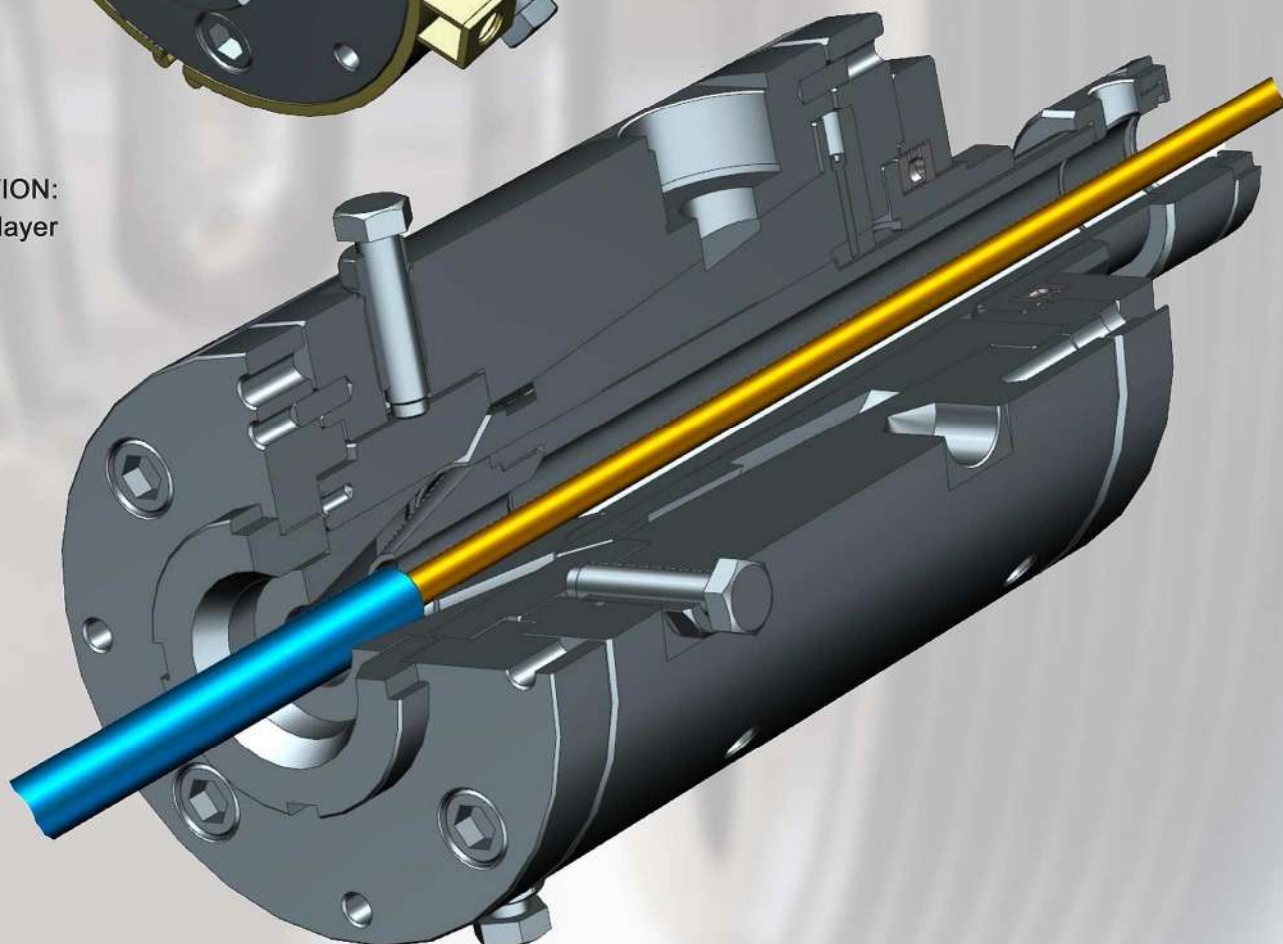


# CROSSHEAD TD25MR

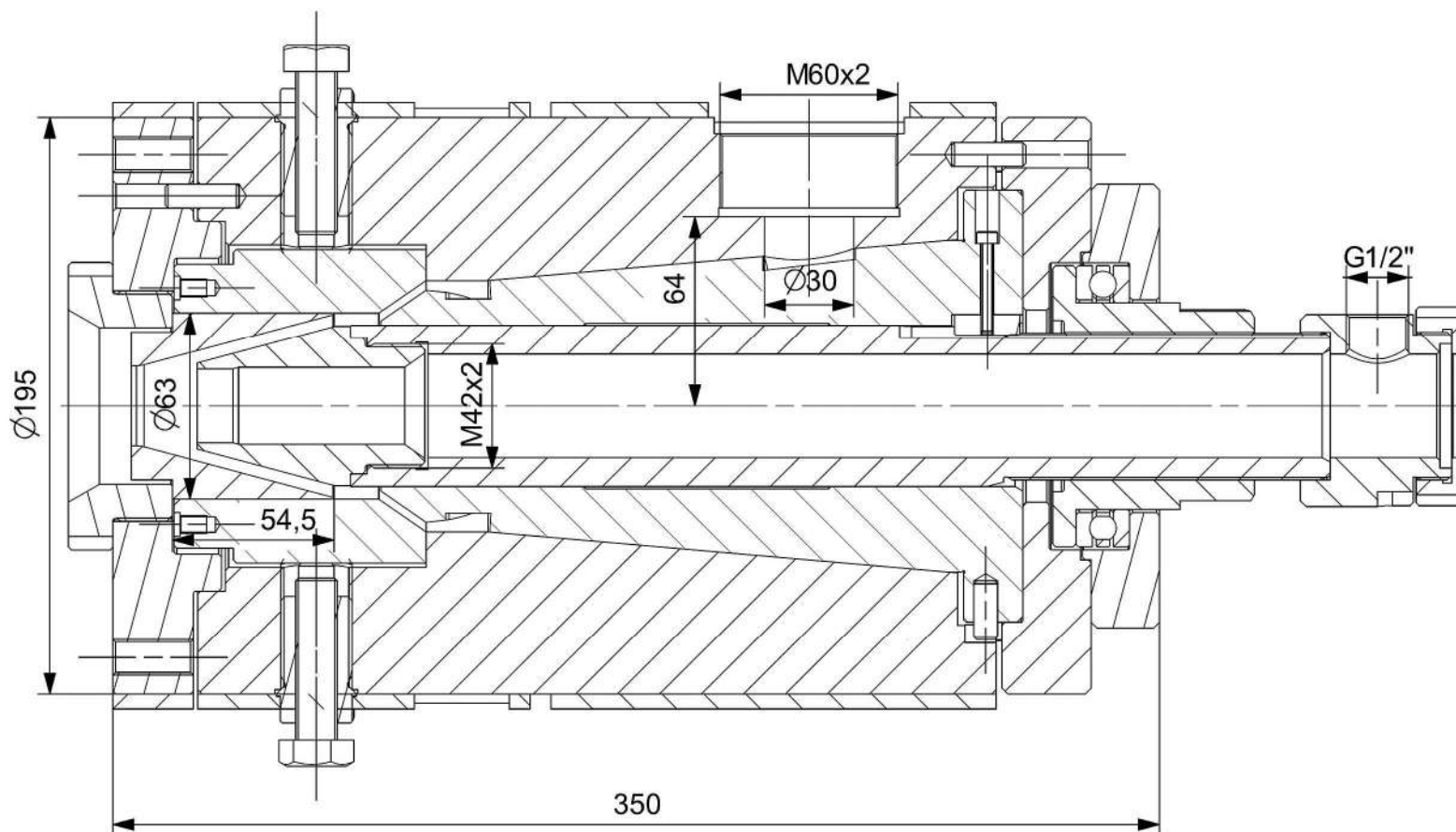


TYPE: manually centered  
 Heating band heaters  
 Min conductor 4,0mm  
 Max conductor 25,0mm  
 Max over insulation 28,0mm

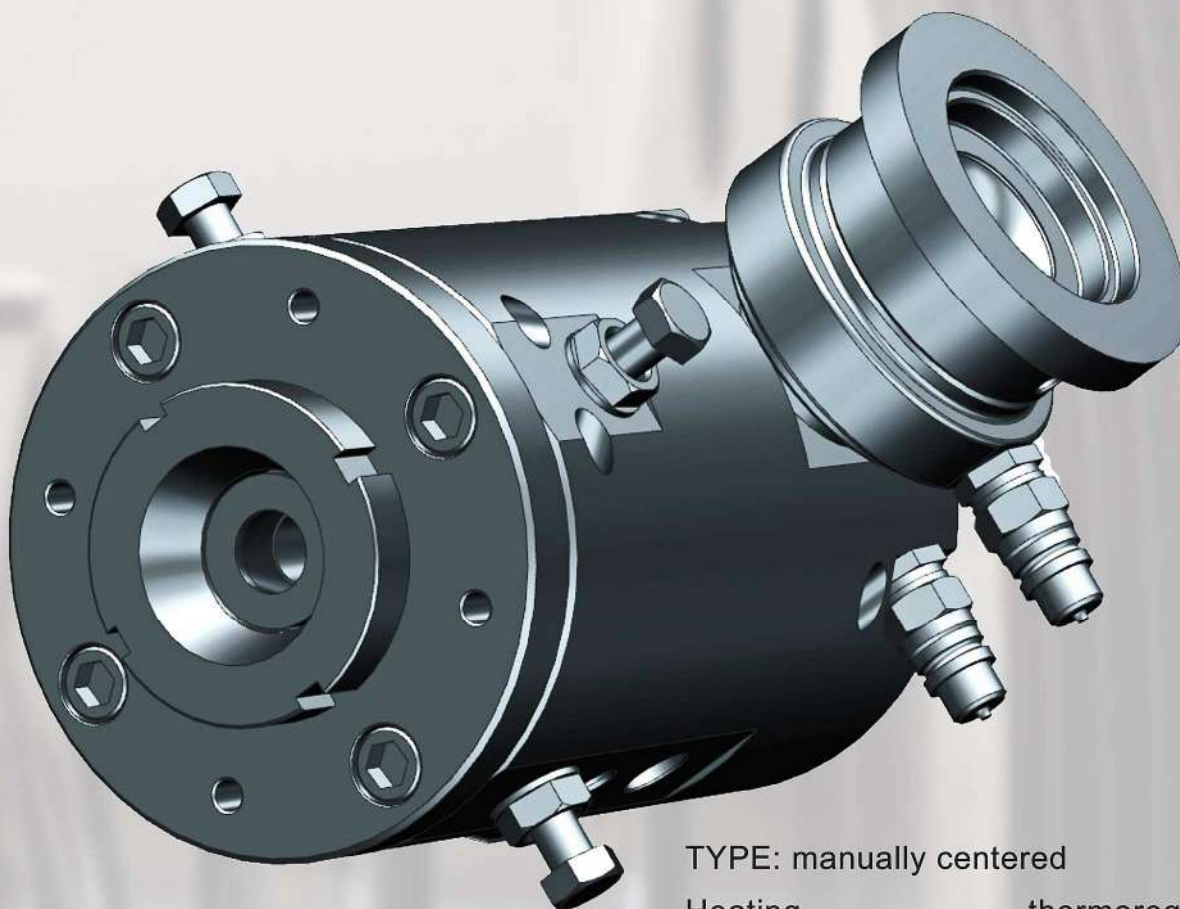
APPLICATION:  
 - single layer



# CROSSHEAD TD25MR



# CROSSHEAD TD25MT



APPLICATION:  
- single layer

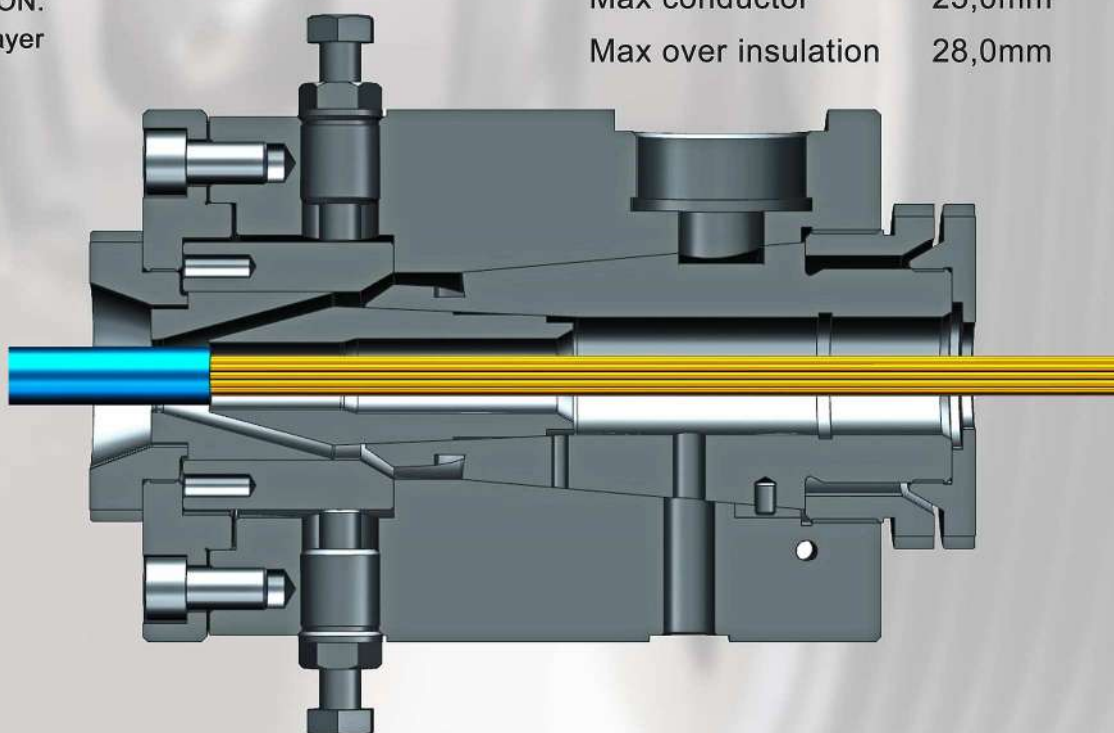
TYPE: manually centered

Heating thermoregulated by oil

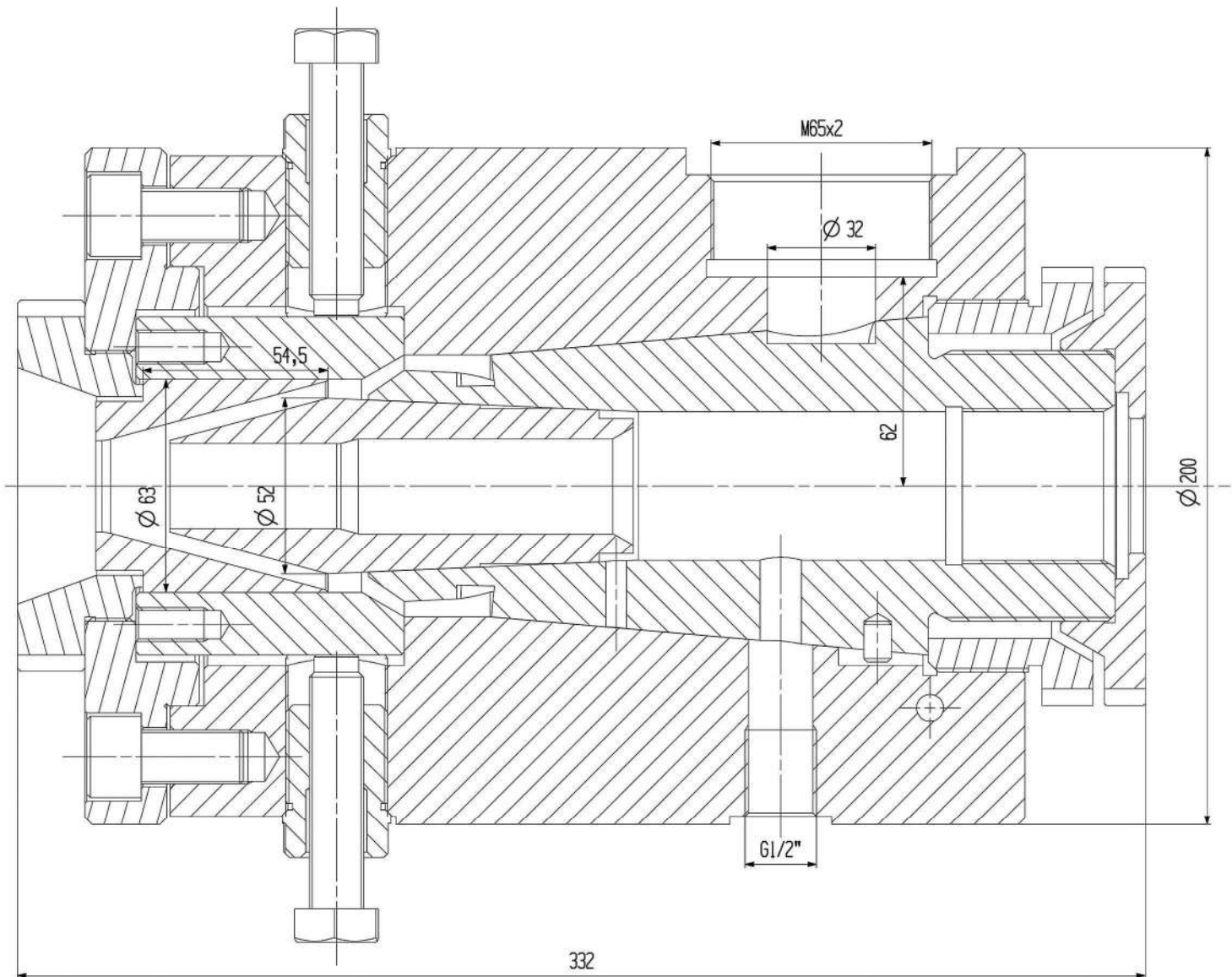
Min conductor 4,0mm

Max conductor 25,0mm

Max over insulation 28,0mm



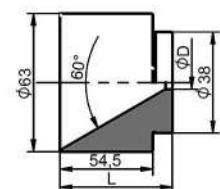
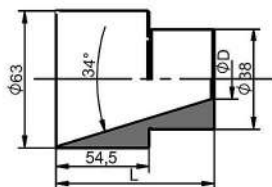
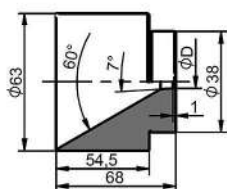
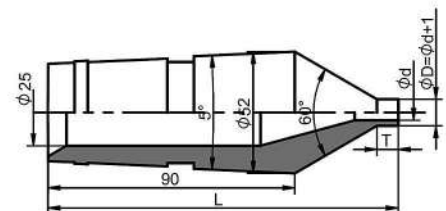
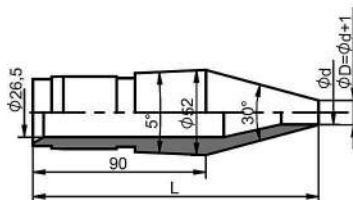
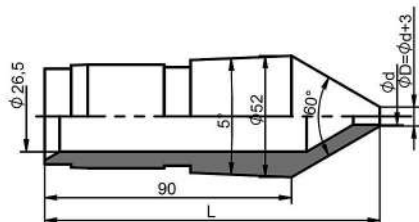
# CROSSHEAD TD25MT



**Compression type**

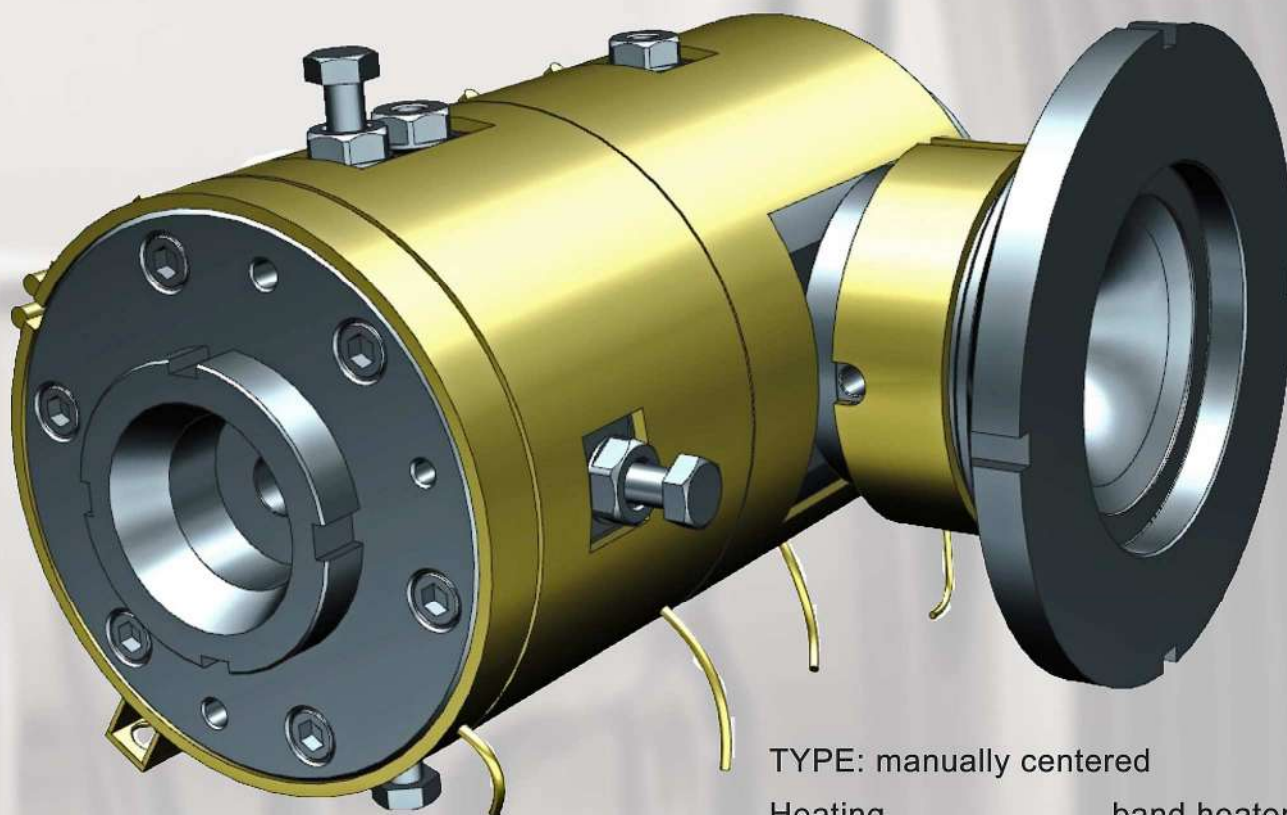
**Semicompression type**

**Tube type**





# CROSSHEAD TD40M



TYPE: manually centered

Heating band heaters

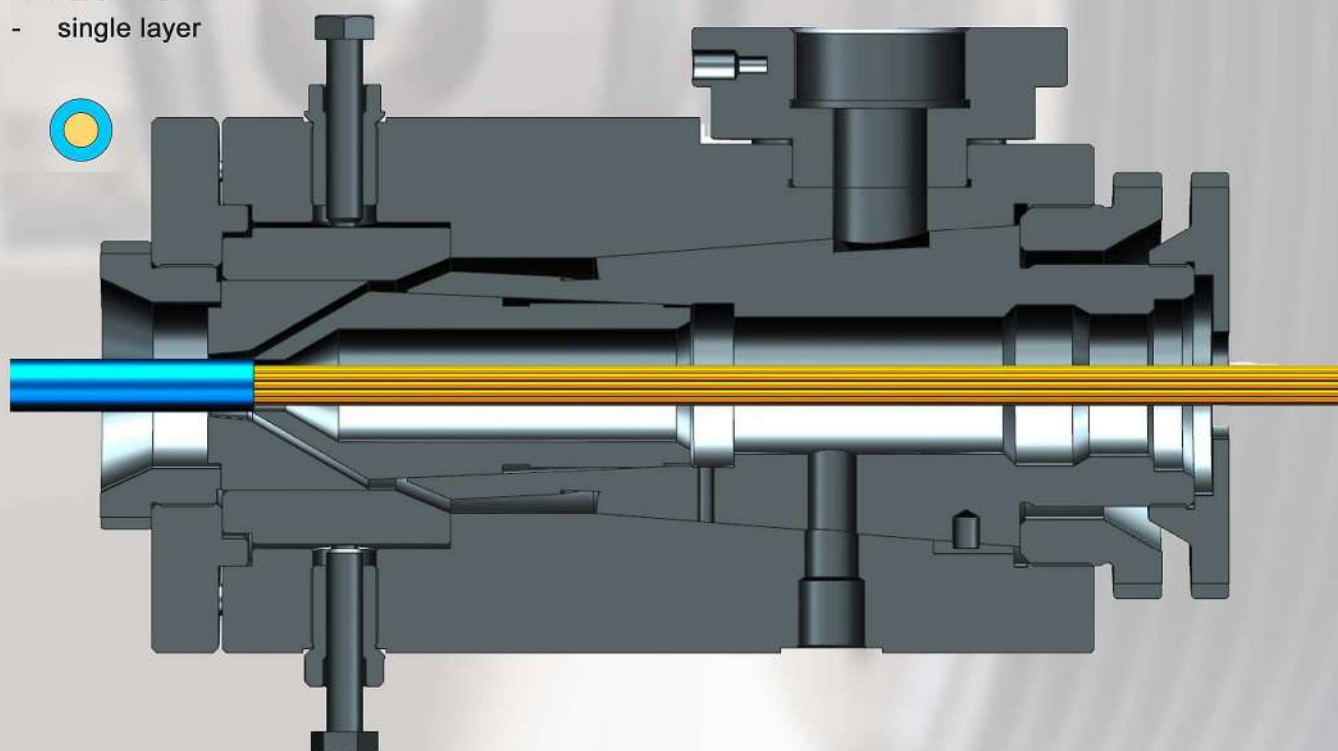
Min conductor 5,0mm

Max conductor 40,0mm

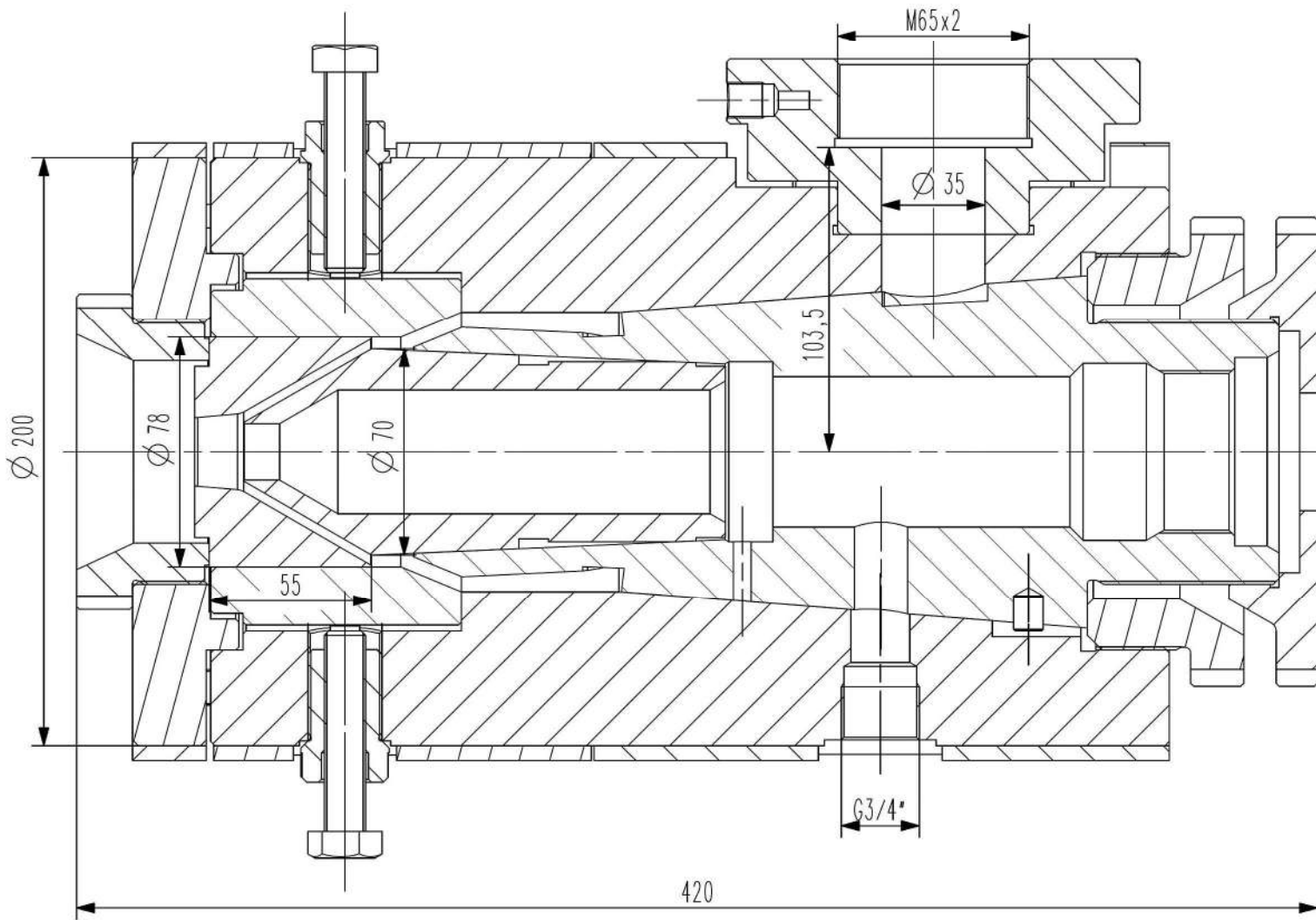
Max over insulation 45,0mm

**APPLICATION:**

- single layer



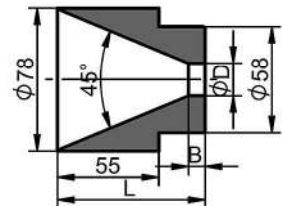
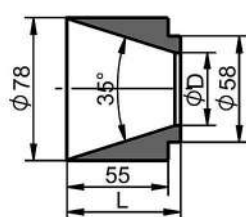
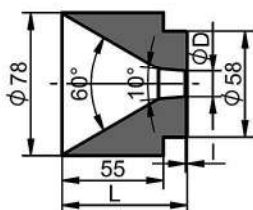
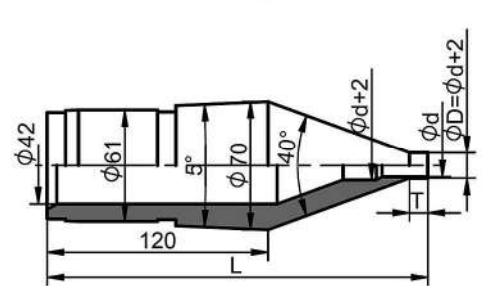
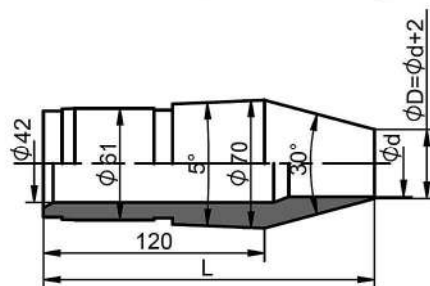
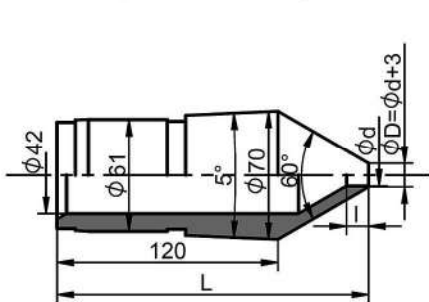
# CROSSHEAD TD40M



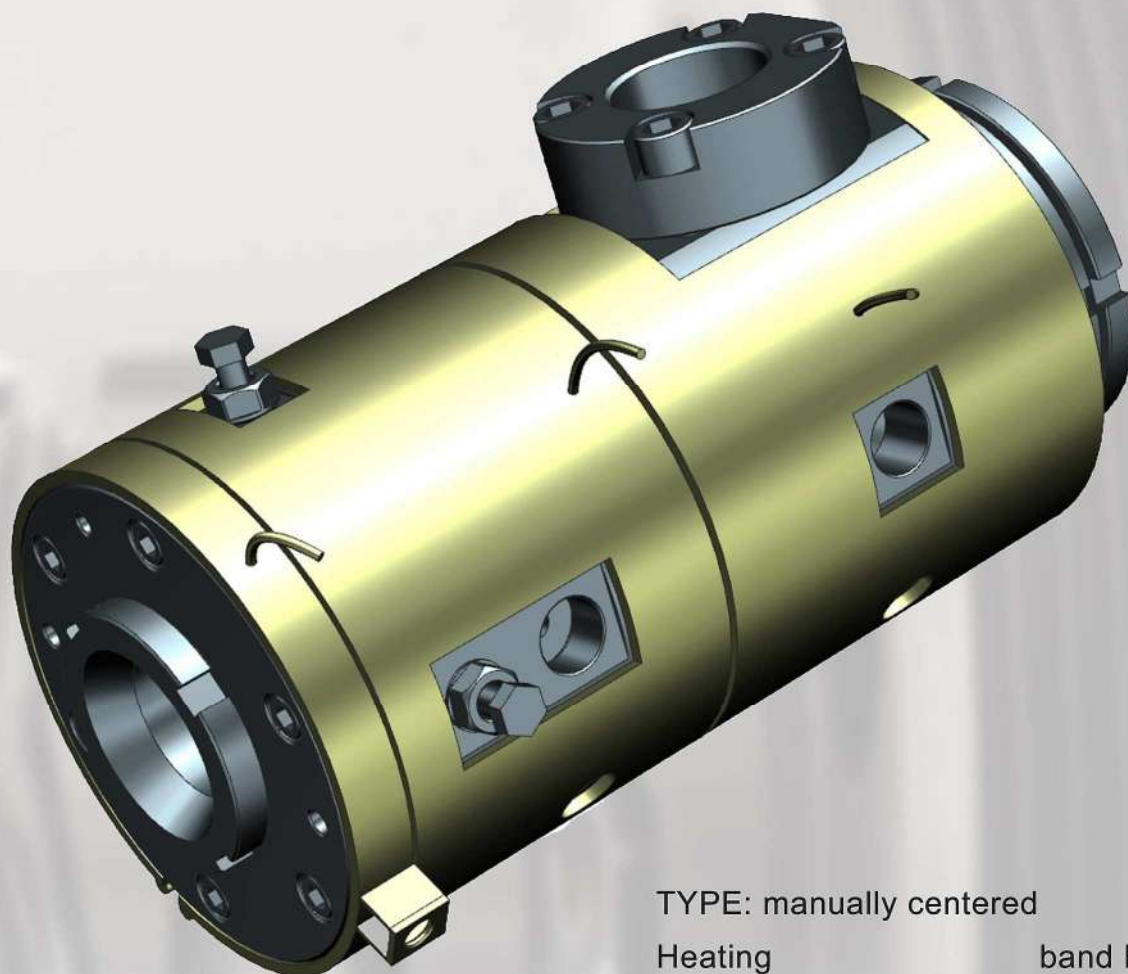
Compression type

Semicompression type

Tube type



# CROSSHEAD TD40MK

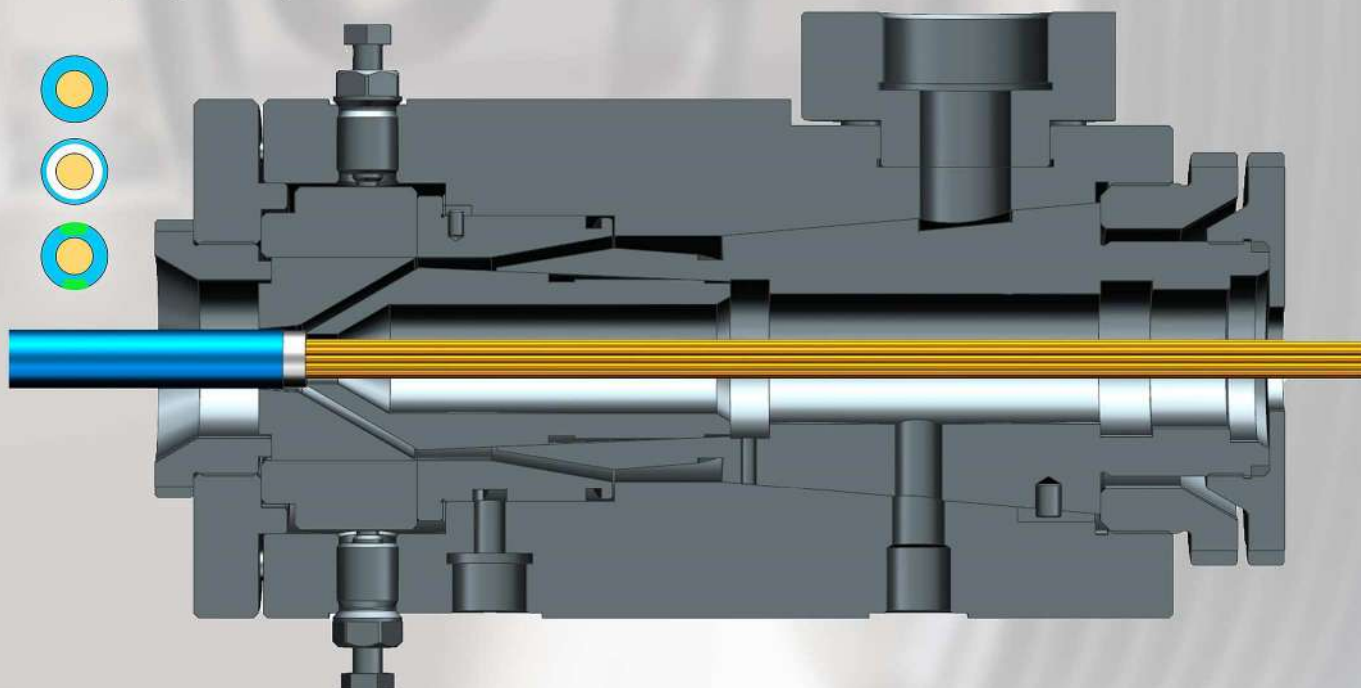


## APPLICATION:

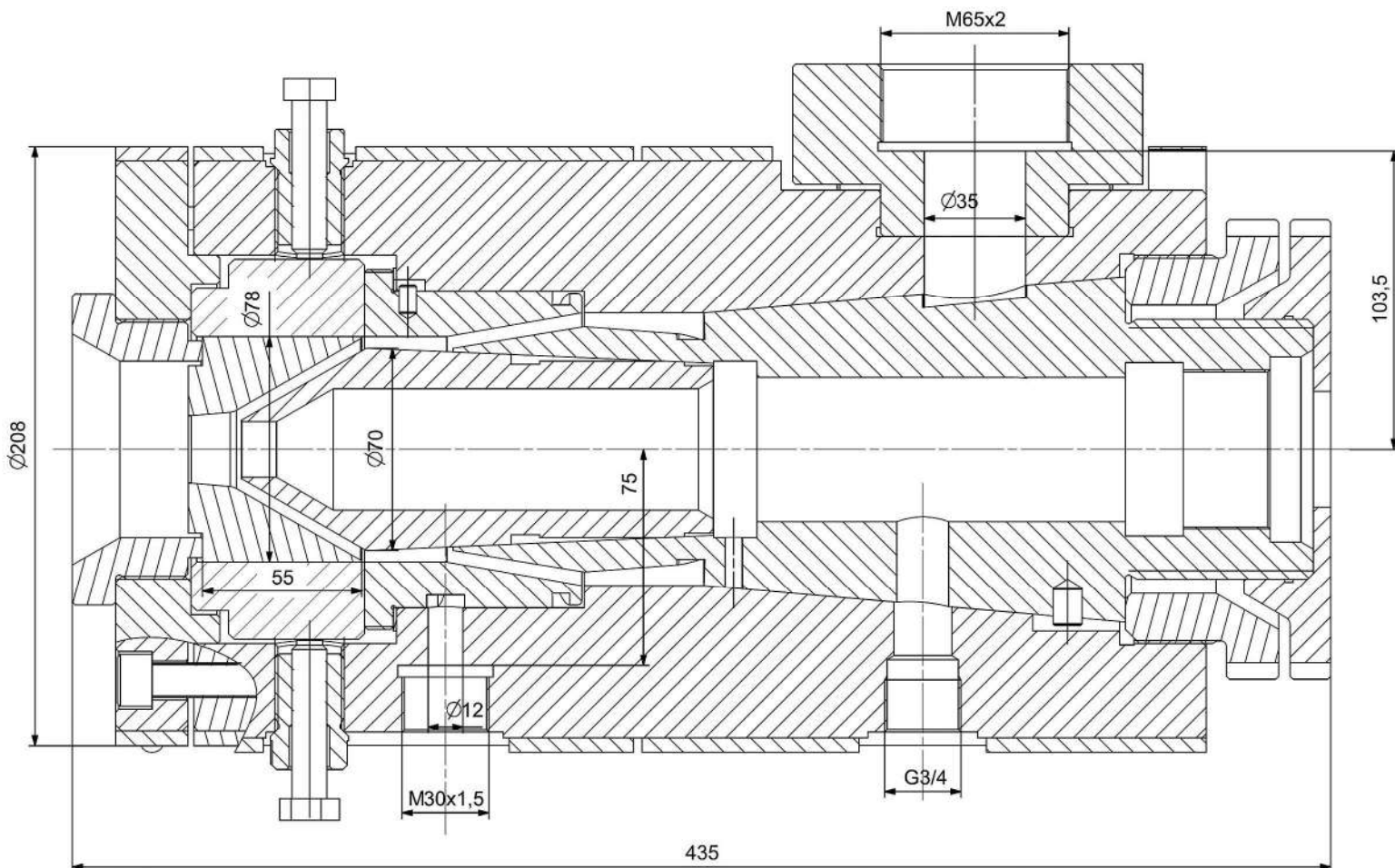
- single layer
- single layer + skin
- single layer + stripe

TYPE: manually centered

Heating	band heaters
Min conductor	5,0mm
Max conductor	40,0mm
Max over insulation	45,0mm



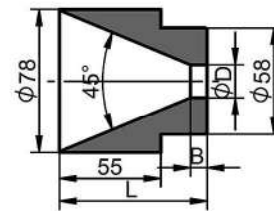
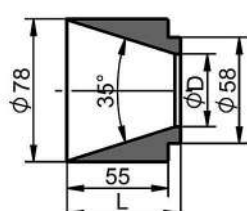
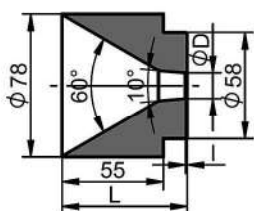
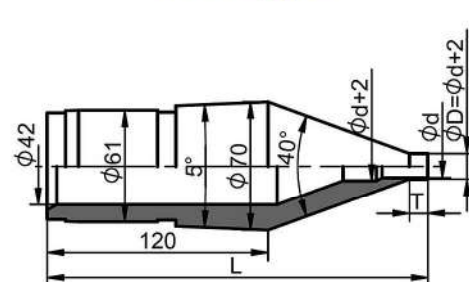
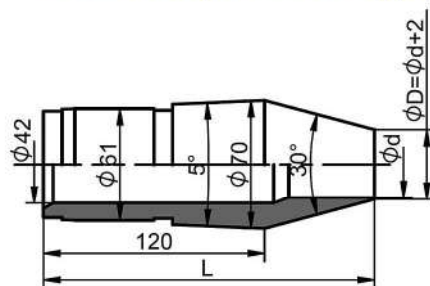
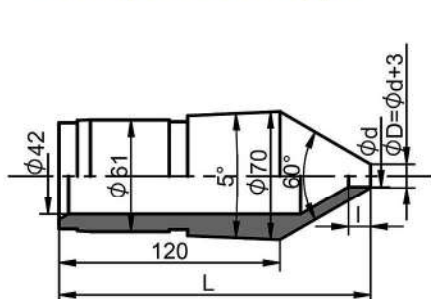
# CROSSHEAD TD40MK



Compression type

Semicompression type

Tube type



# CROSSHEAD TD40MKT



## APPLICATION:

- single layer
- single layer + skin
- single layer + stripe

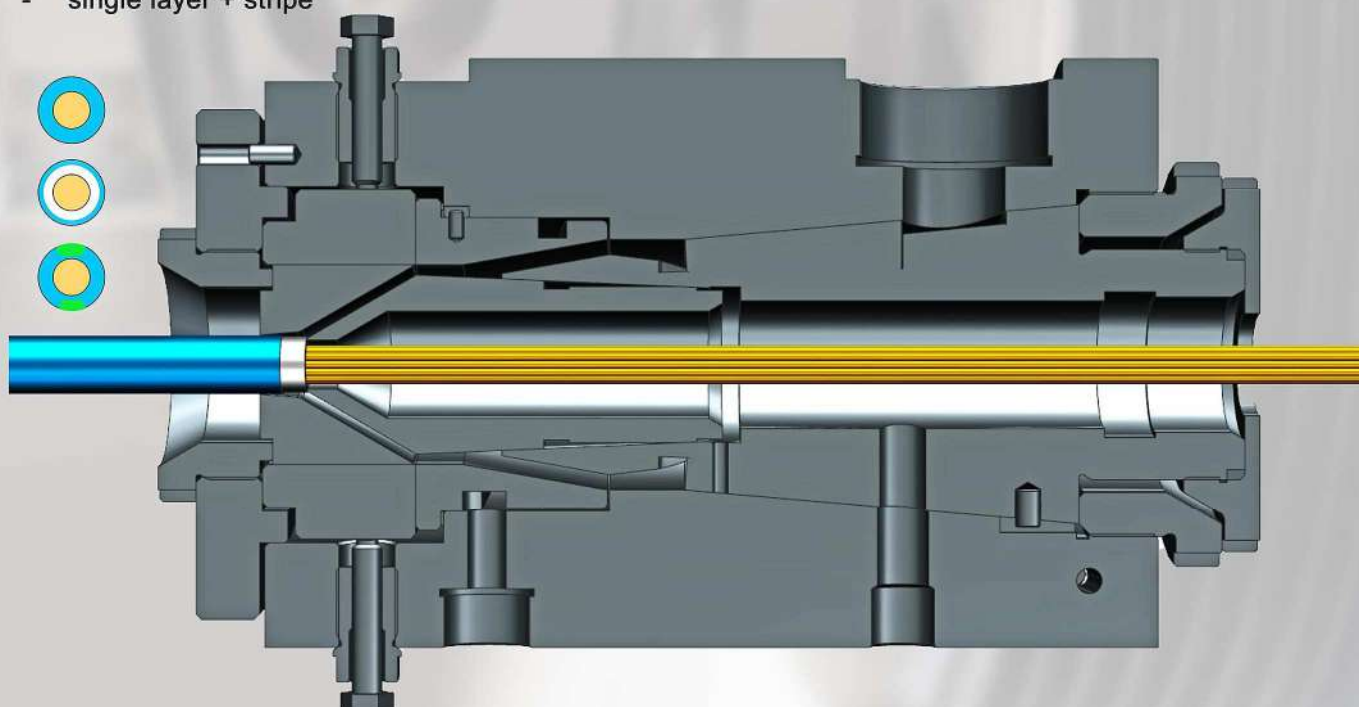
TYPE: manually centered

Heating thermoregulated by oil

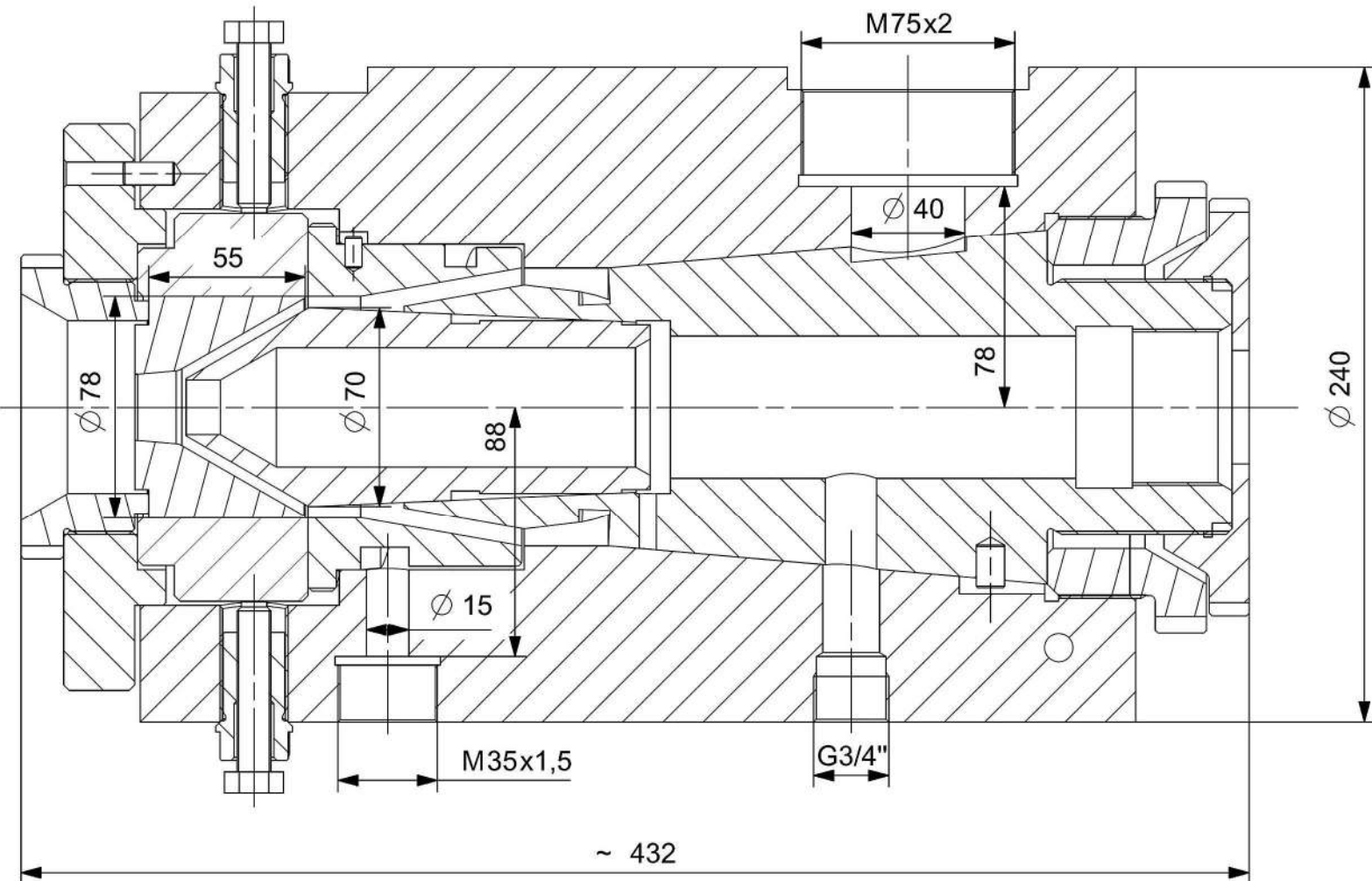
Min conductor 5,0mm

Max conductor 40,0mm

Max over insulation 45,0mm



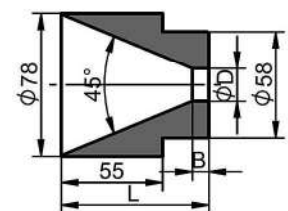
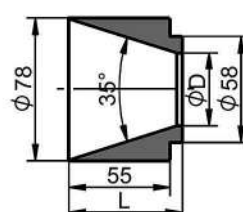
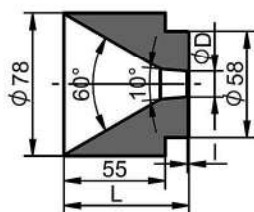
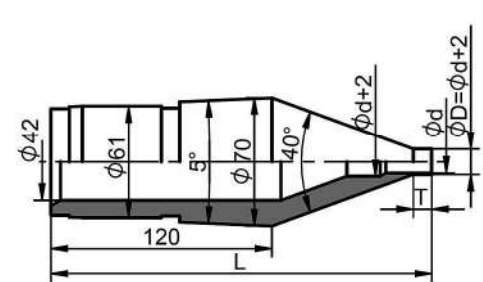
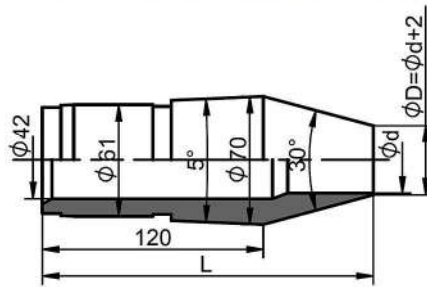
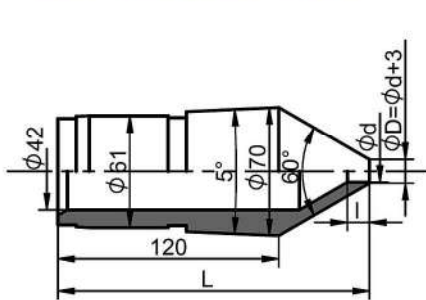
# CROSSHEAD TD40MKT



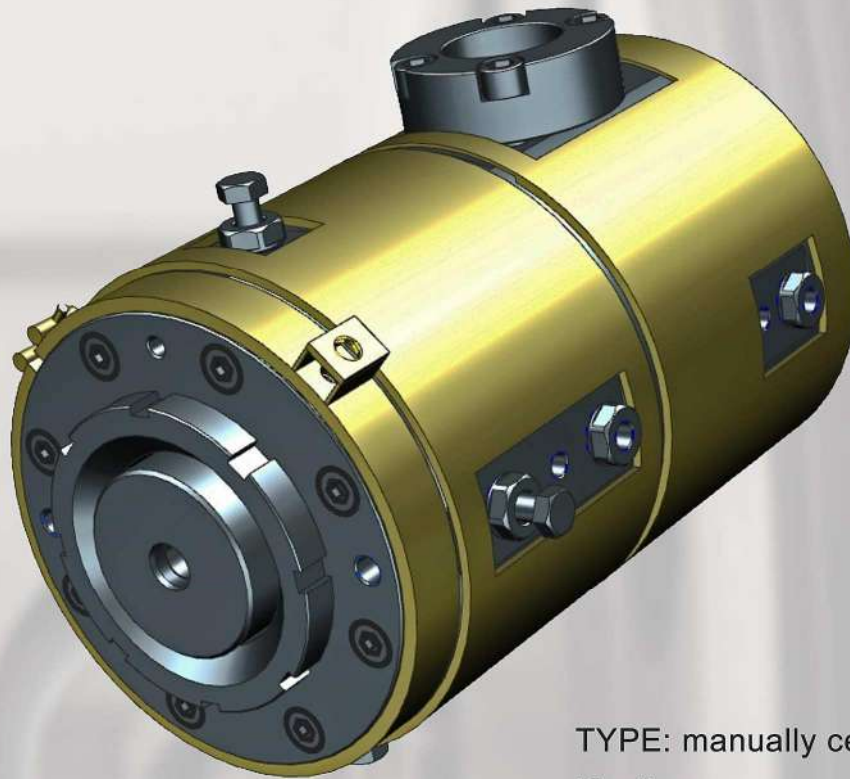
**Compression type**

**Semicompression type**

**Tube type**



# CROSSHEAD TD65M



TYPE: manually centered

Heating band heaters

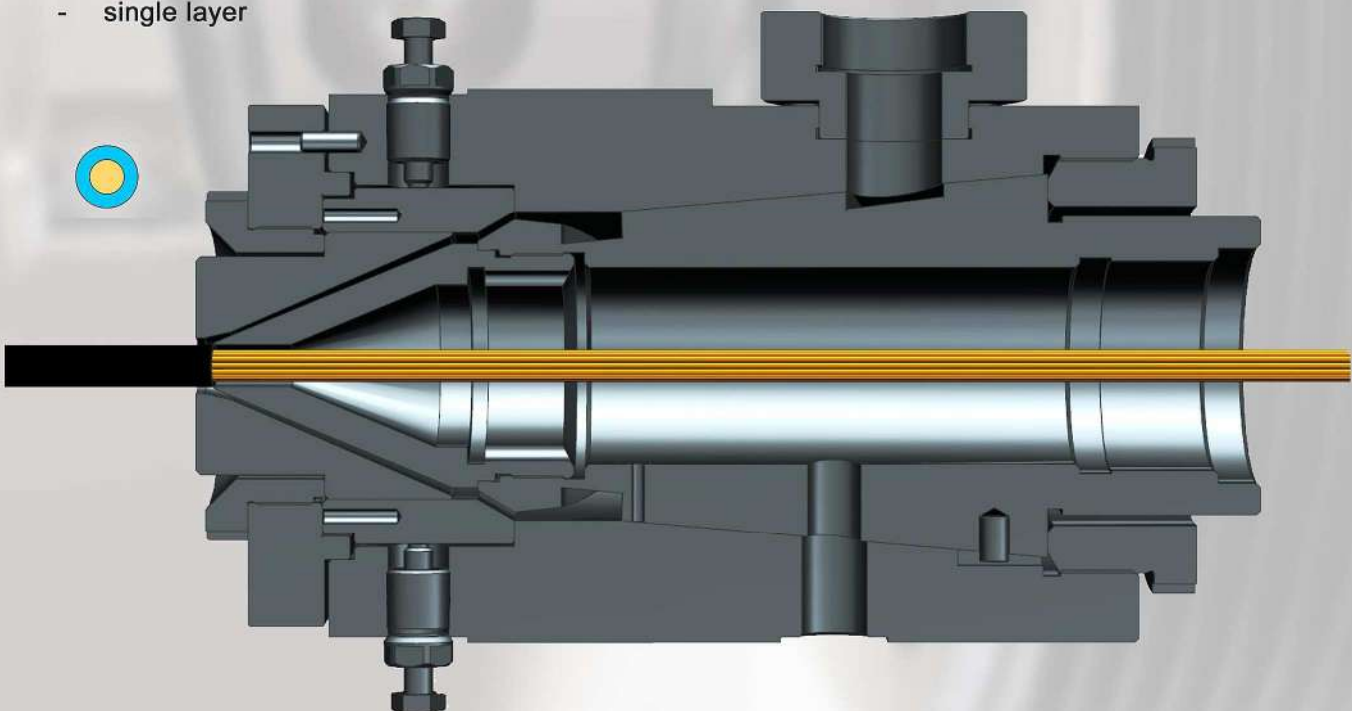
Min conductor 9,0mm

Max conductor 65,0mm

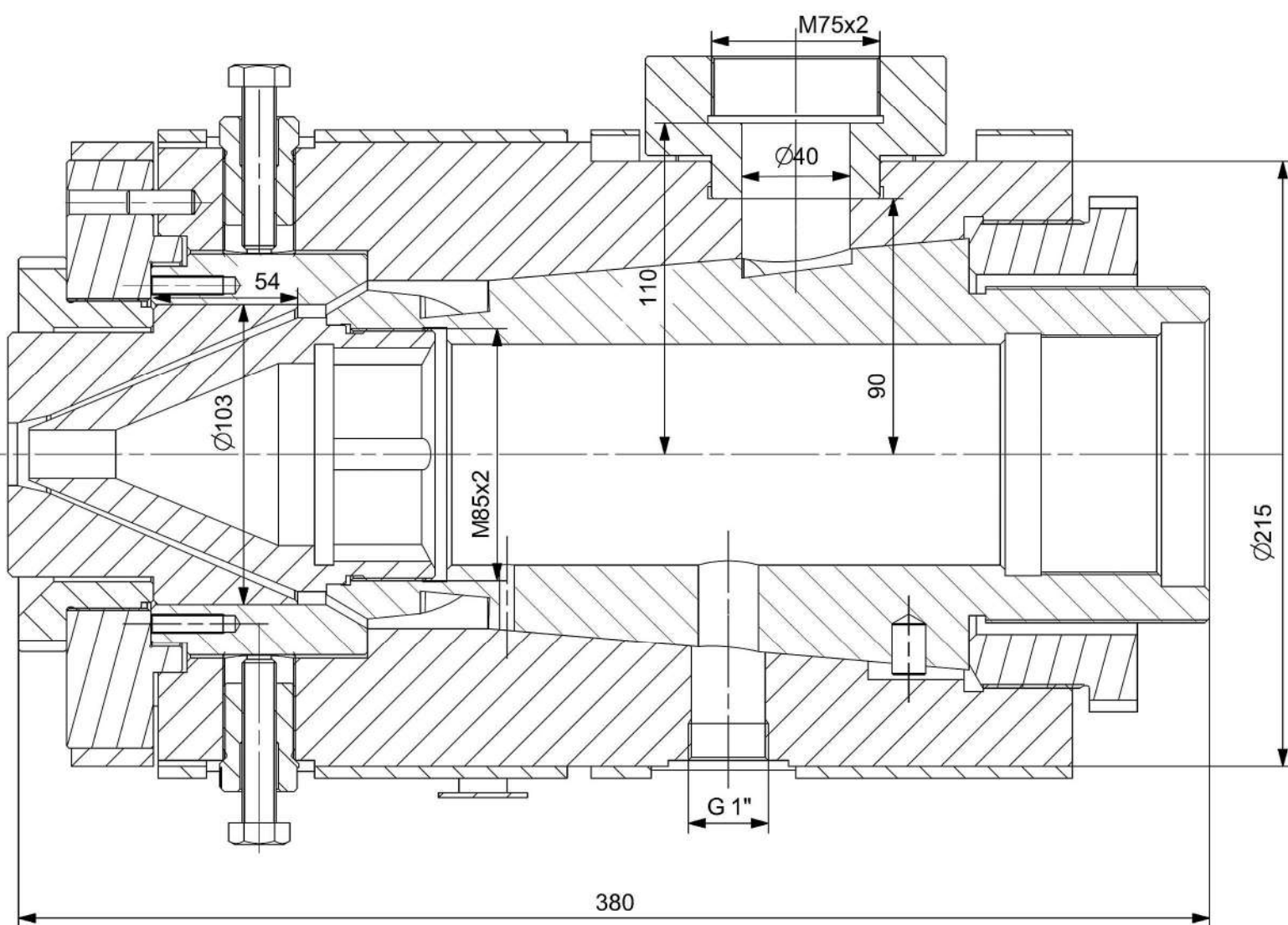
Max over insulation 70,0mm

APPLICATION:

- single layer

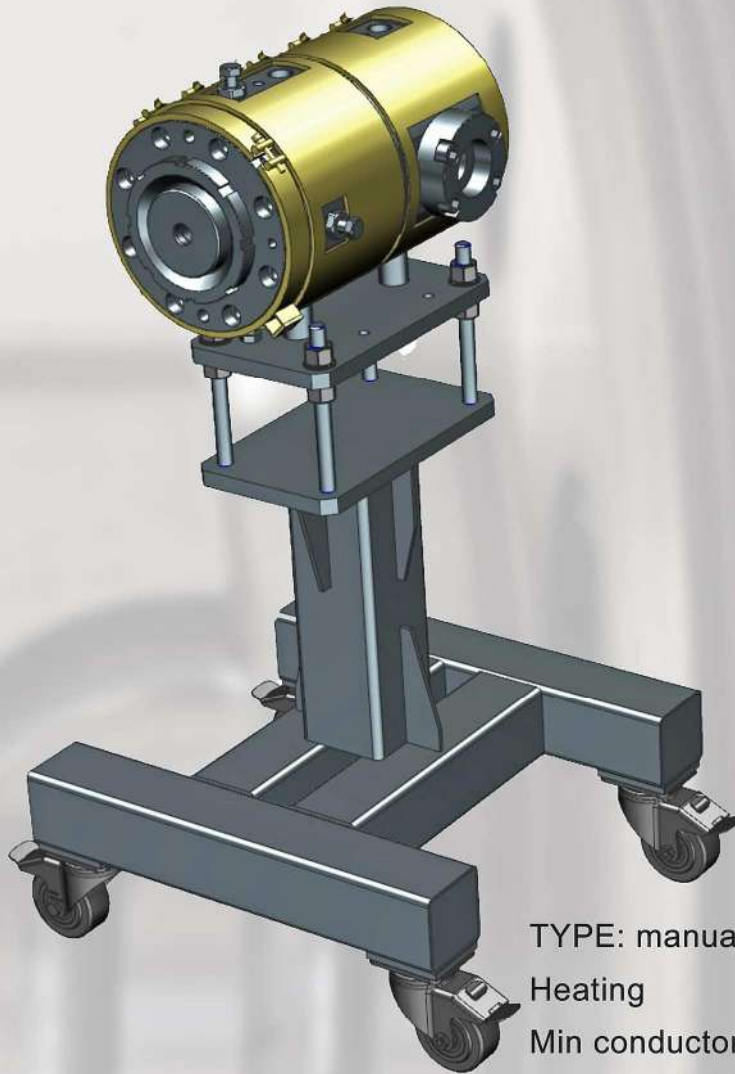


# CROSSHEAD TD65M





# CROSSHEAD TD80M



APPLICATION:  
- single layer

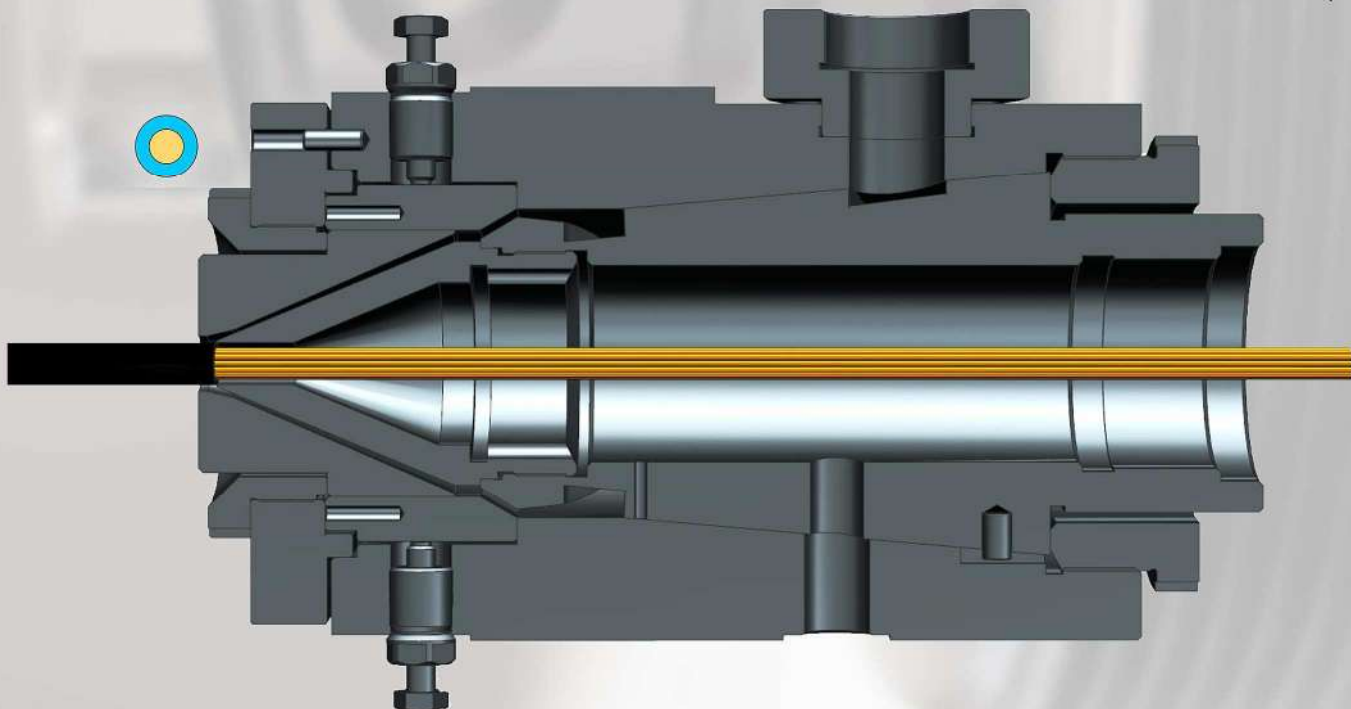
TYPE: manually centered

Heating band heaters

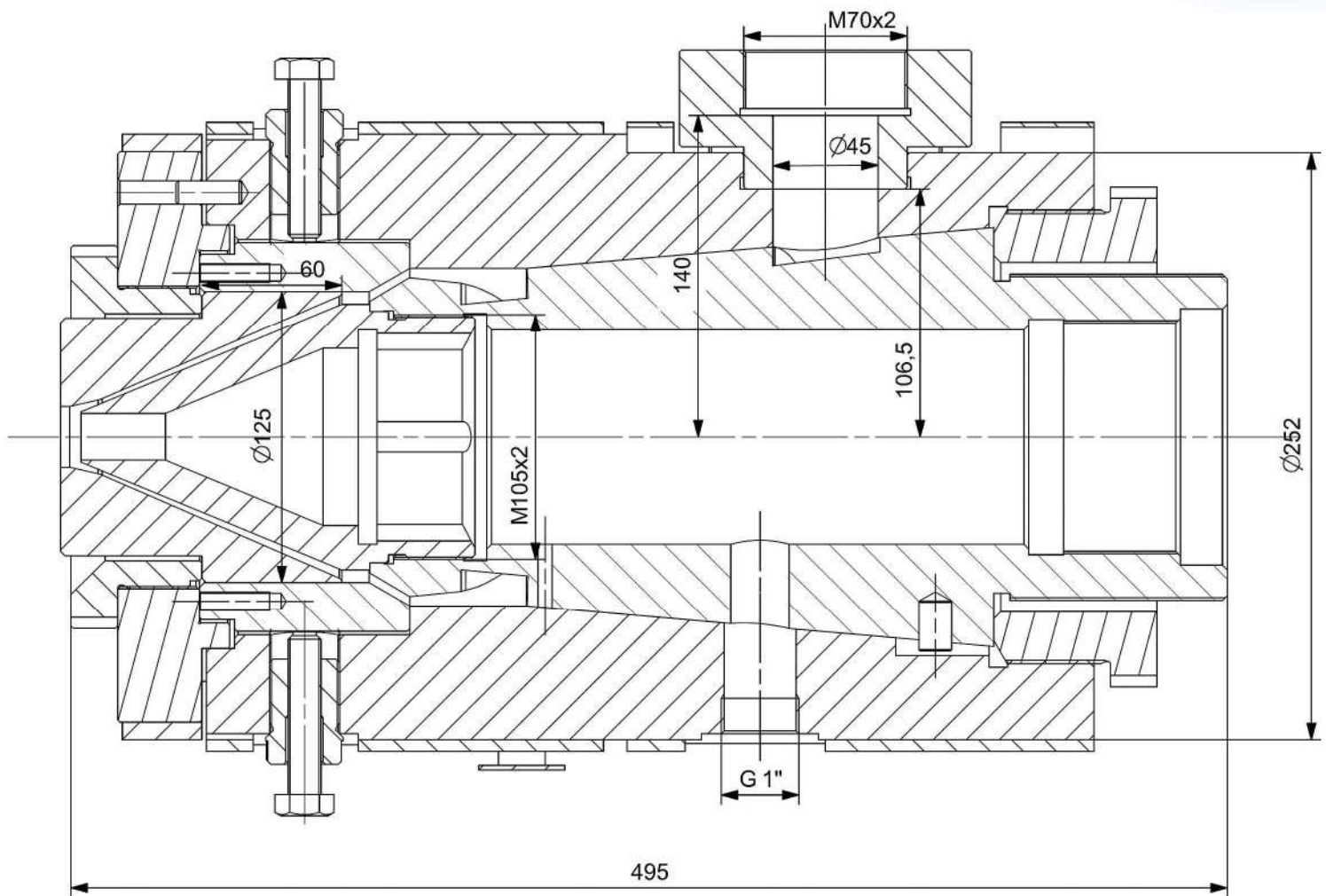
Min conductor 10,0mm

Max conductor 80,0mm

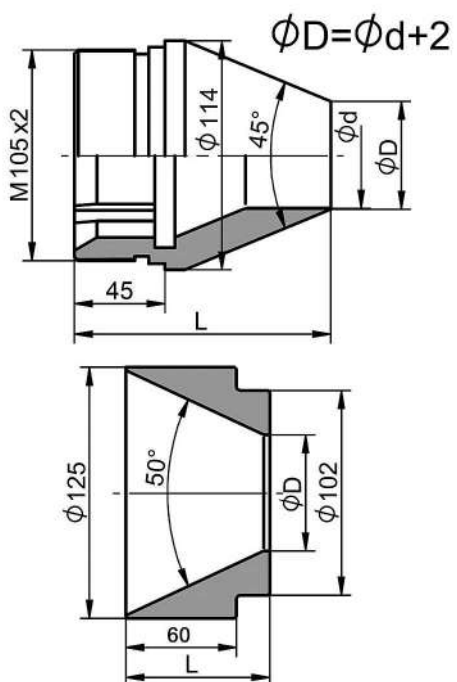
Max over insulation 87,0mm



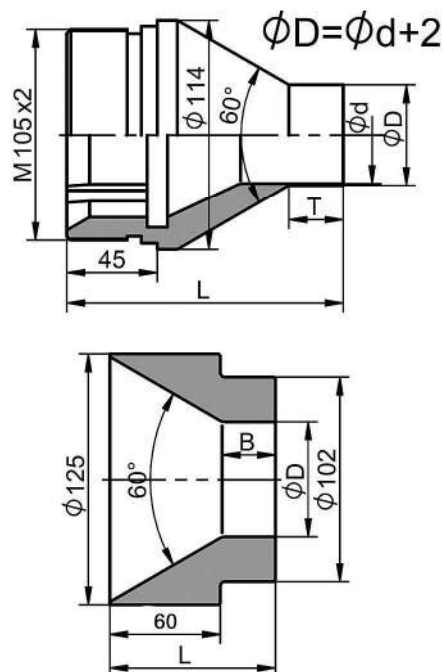
# CROSSHEAD TD80M



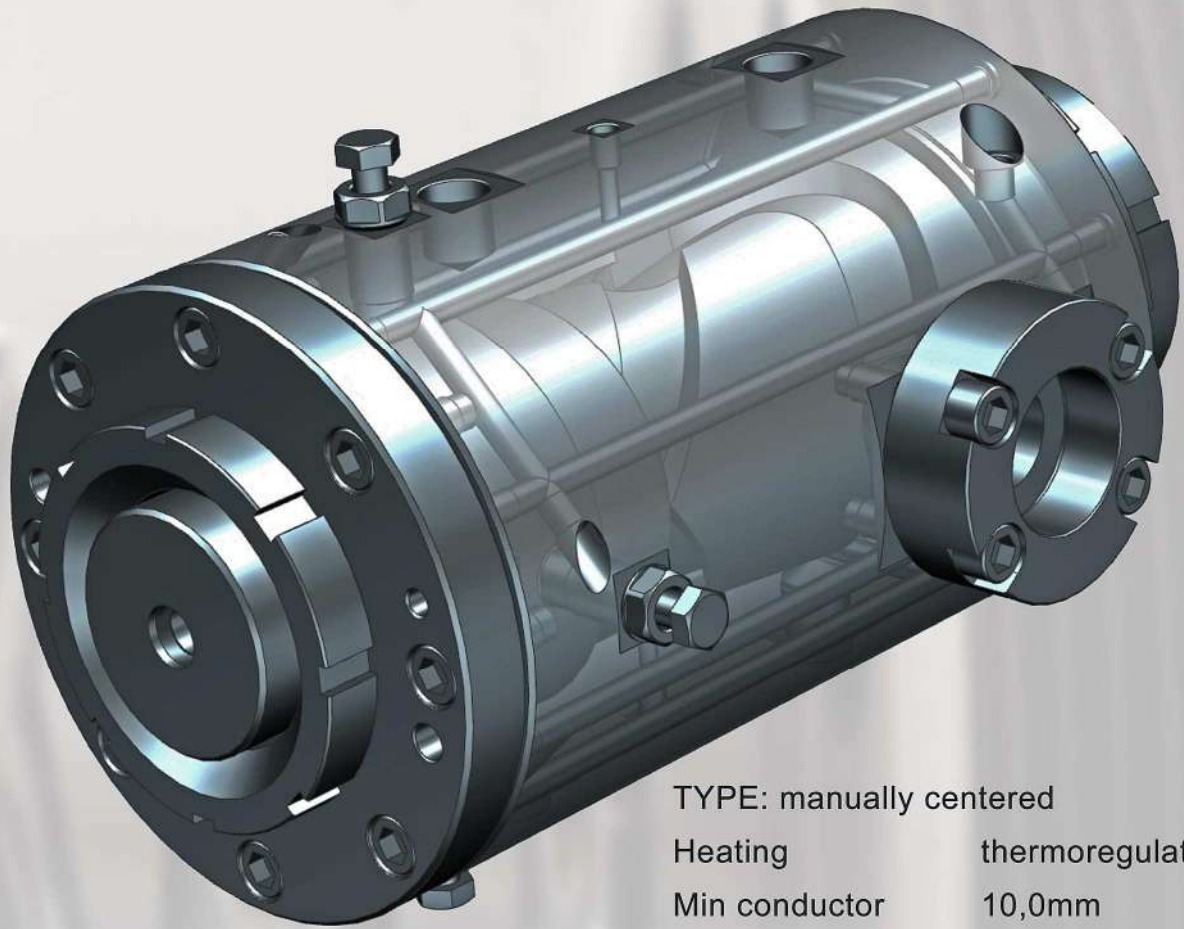
## Semicompression type



## Tube type



# CROSSHEAD TD80MT



TYPE: manually centered

Heating thermoregulated by oil

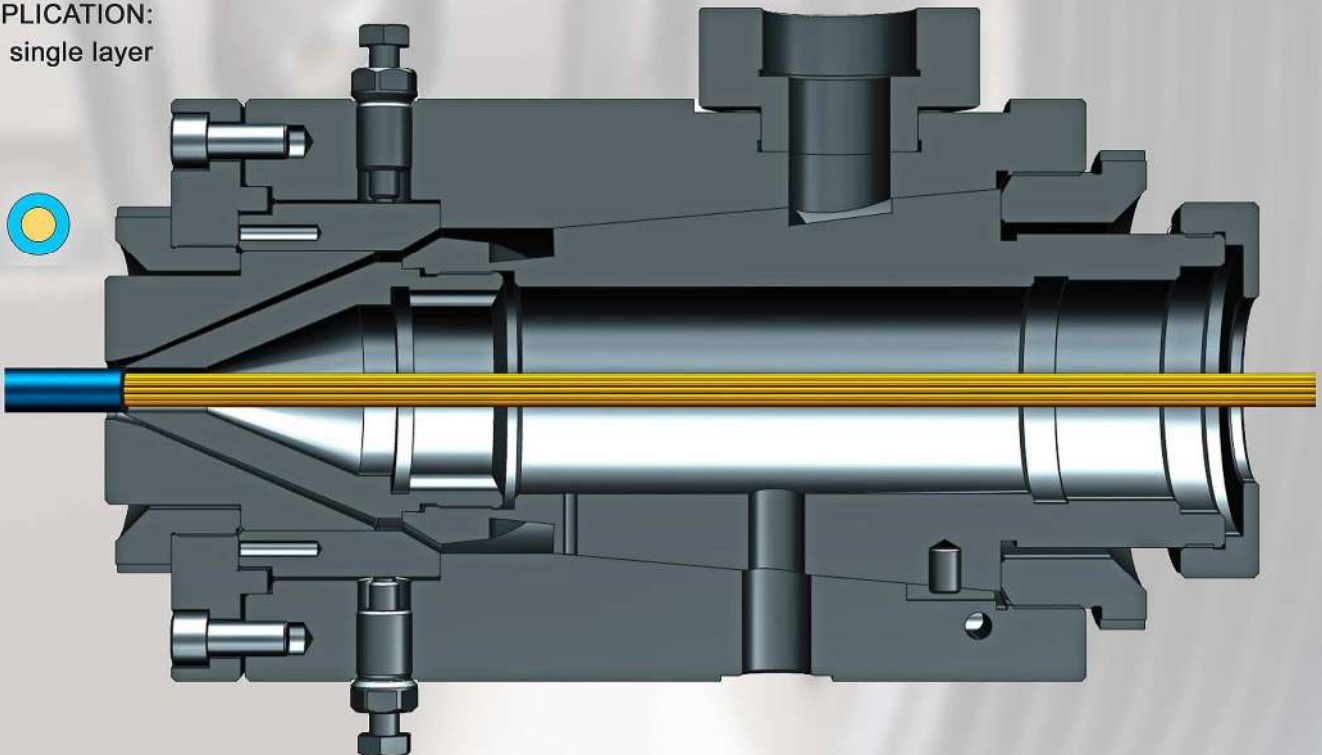
Min conductor 10,0mm

Max conductor 80,0mm

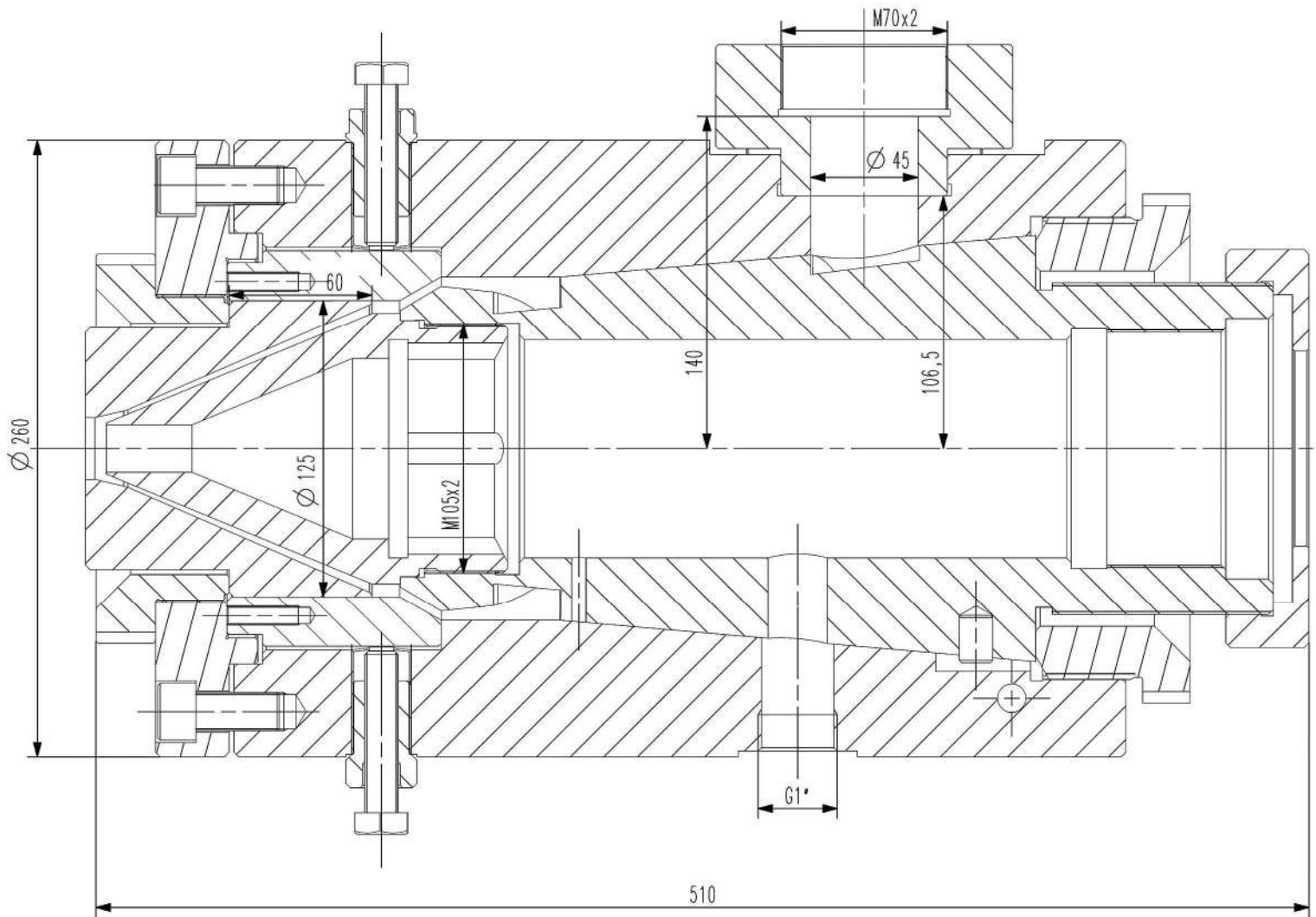
Max over insulation 87,0mm

APPLICATION:

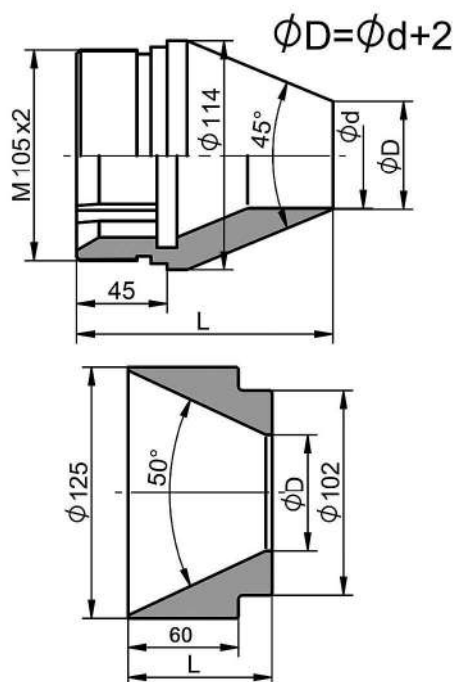
- single layer



# CROSSHEAD TD80MT



**Semicompression type**



**Tube type**

