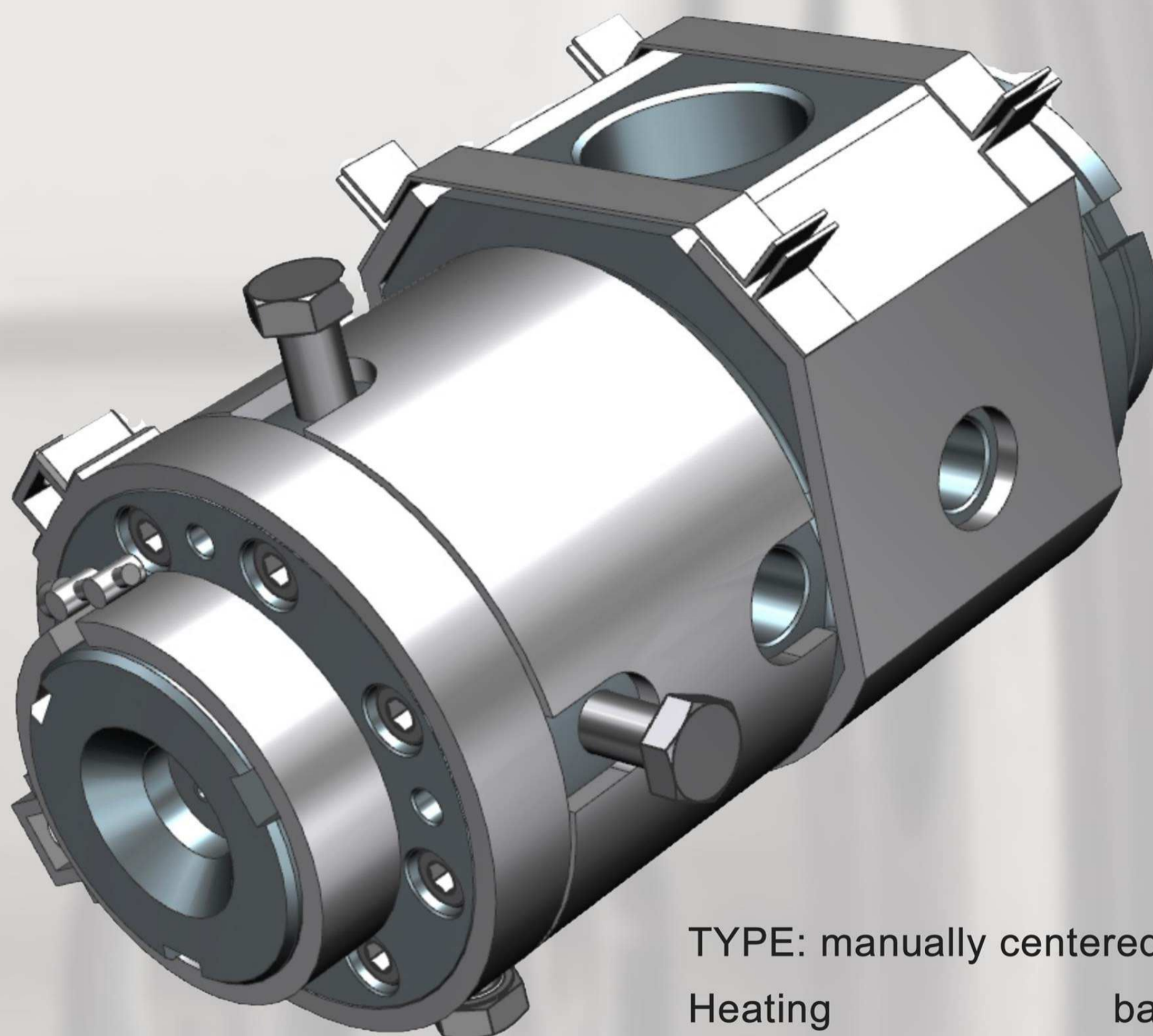


CROSSHEAD TD16M



TYPE: manually centered

Heating band heaters

Min conductor 0,5mm

Max conductor 16,0mm

Max over insulation 18,0mm

APPLICATION:

- single layer

